



# **SISTEMA P&P\_P&P-ISO**

## P&P\_P&P-ISO SYSTEM

VIDEO

**auta**

Bringing people together

## INSTALACIONES MULTI-VIVIENDA SYSTEMS WITH MULTI-FLAT

|  |          |
|--|----------|
| <b>1 Acceso</b> 1 Access                   |          |
| <b>Multi-Vivienda</b> .....                | <b>1</b> |
| Multi-Flat                                 |          |
| <b>Multi-Vivienda Multi-Vertical</b> ..... | <b>2</b> |
| Multi-Flat Multi-Riser                     |          |
| <b>Multi-Acceso</b> Multi-Access           |          |
| <b>Multi-Vivienda</b> .....                | <b>3</b> |
| Multi-Flat                                 |          |
| <b>Multi-Vivienda Multi-Vertical</b> ..... | <b>4</b> |
| Multi-Flat Multi-Riser                     |          |

## INSTALACIONES MULTI-EDIFICIO SYSTEMS WITH MULTI-BUILDING

|   |          |
|---|----------|
| <b>1 Acceso Común y hasta 254 Edificios</b> .....                                 | <b>5</b> |
| 1 Common access and up to 254 Buildings   |          |
| <b>Multi-Acceso Común y hasta 254 Edificios</b> .....                             | <b>6</b> |
| Common Multi-Access and up to 254 Buildings                                       |          |
| <b>Multi-Acceso Común y hasta 254 Edificios (Edificio SIN placa)</b> .....        | <b>7</b> |
| Common Multi-Access and up to 254 Buildings (Building WITHOUT panel)              |          |
| <b>Multi-Acceso Común y hasta 254 Edificios (Edificio SOLO AUDIO)</b> .....       | <b>8</b> |
| Common Multi-Access and up to 254 Buildings (Building WITHOUT panel)              |          |
| <b>Multi-Acceso Común y hasta 254 Edificios (Edificio con Multi-Acceso)</b> ..... | <b>9</b> |
| Common Multi-Access and up to 254 Buildings (Building with Multi-Access)          |          |

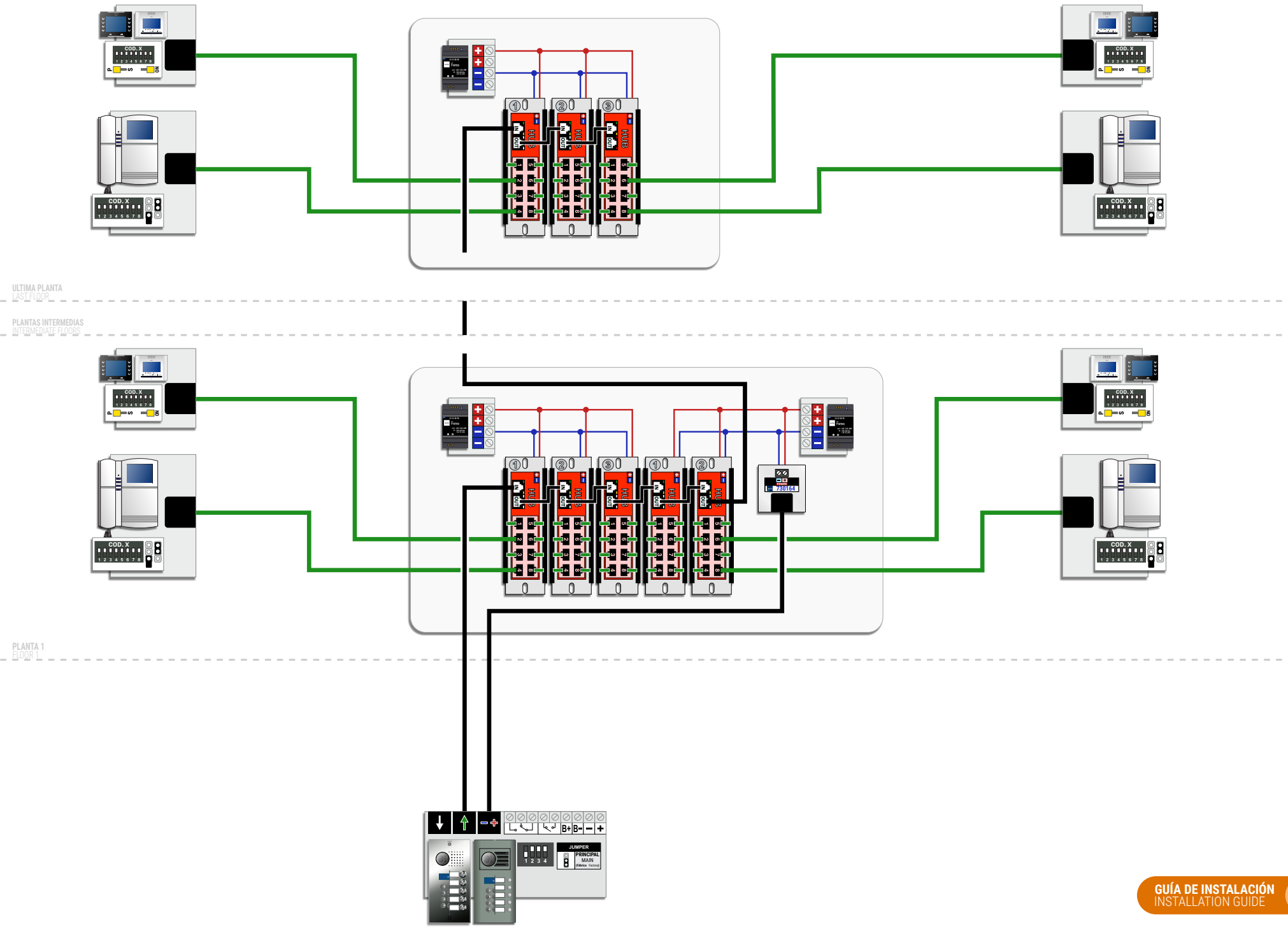
## INSTALACIONES ESPECIALES Y CON CENTRAL DE CONSERJERIA CCI SPECIAL SYSTEMS AND WITH SWITCHBOARD CCI

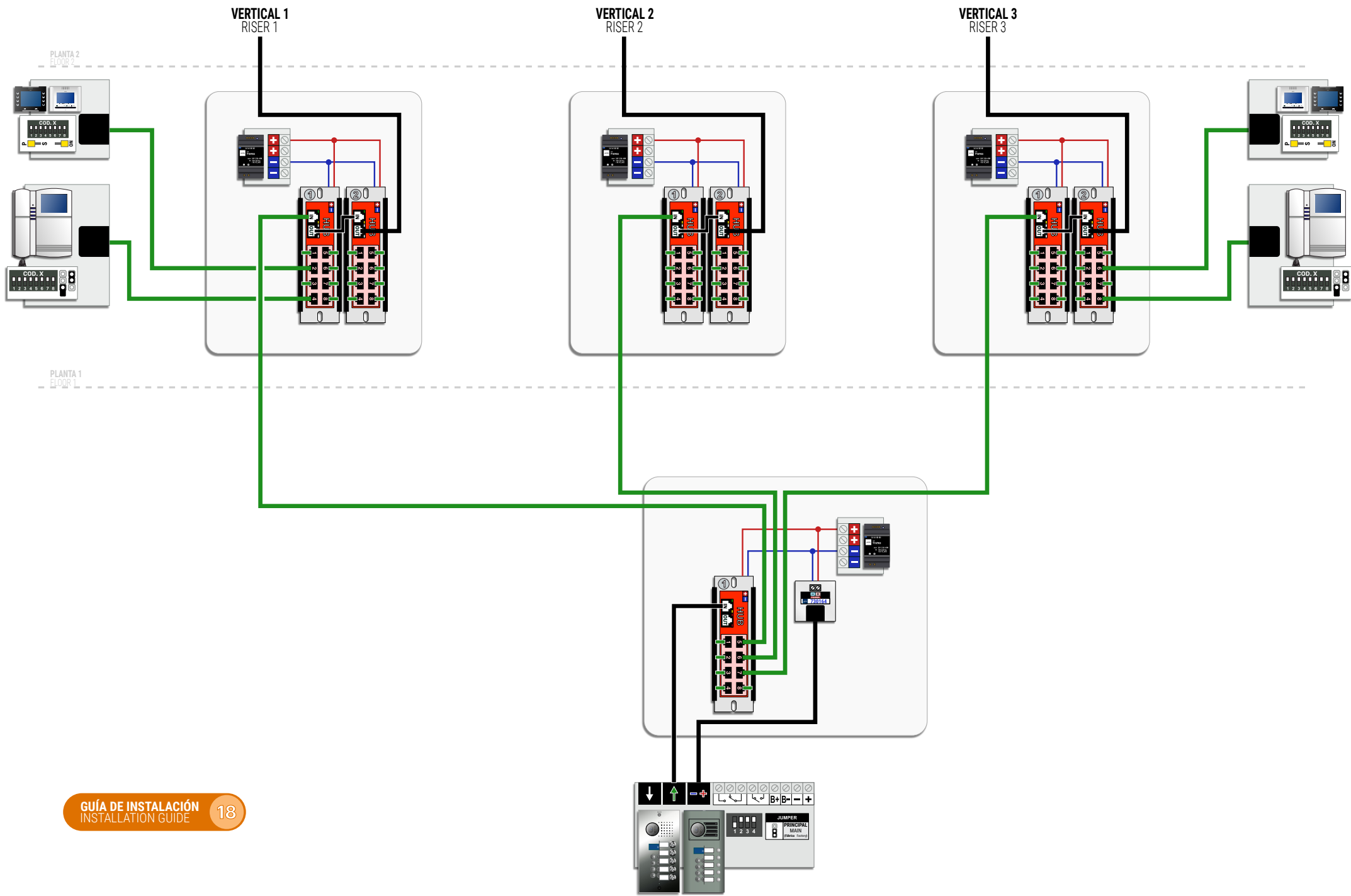
|   |           |
|---|-----------|
| <b>Multi-Acceso y más de 254 viviendas</b> .....            | <b>10</b> |
| Multi-Access and more than 254 flats                        |           |
| <b>1 Acceso + CCI</b> .....                                 | <b>11</b> |
| 1 Access + CCI  |           |
| <b>Multi-Acceso Común y hasta 254 Edificios + CCI</b> ..... | <b>12</b> |
| Common Multi-Access and up to 254 Buildings + CCI           |           |
| <b>CCI + Multi-Vivienda</b> .....                           | <b>13</b> |
| CCI + Multi-Flat  |           |
| <b>CCI + Multi-Edificio</b> .....                           | <b>14</b> |
| CCI + Multi-Building  |           |

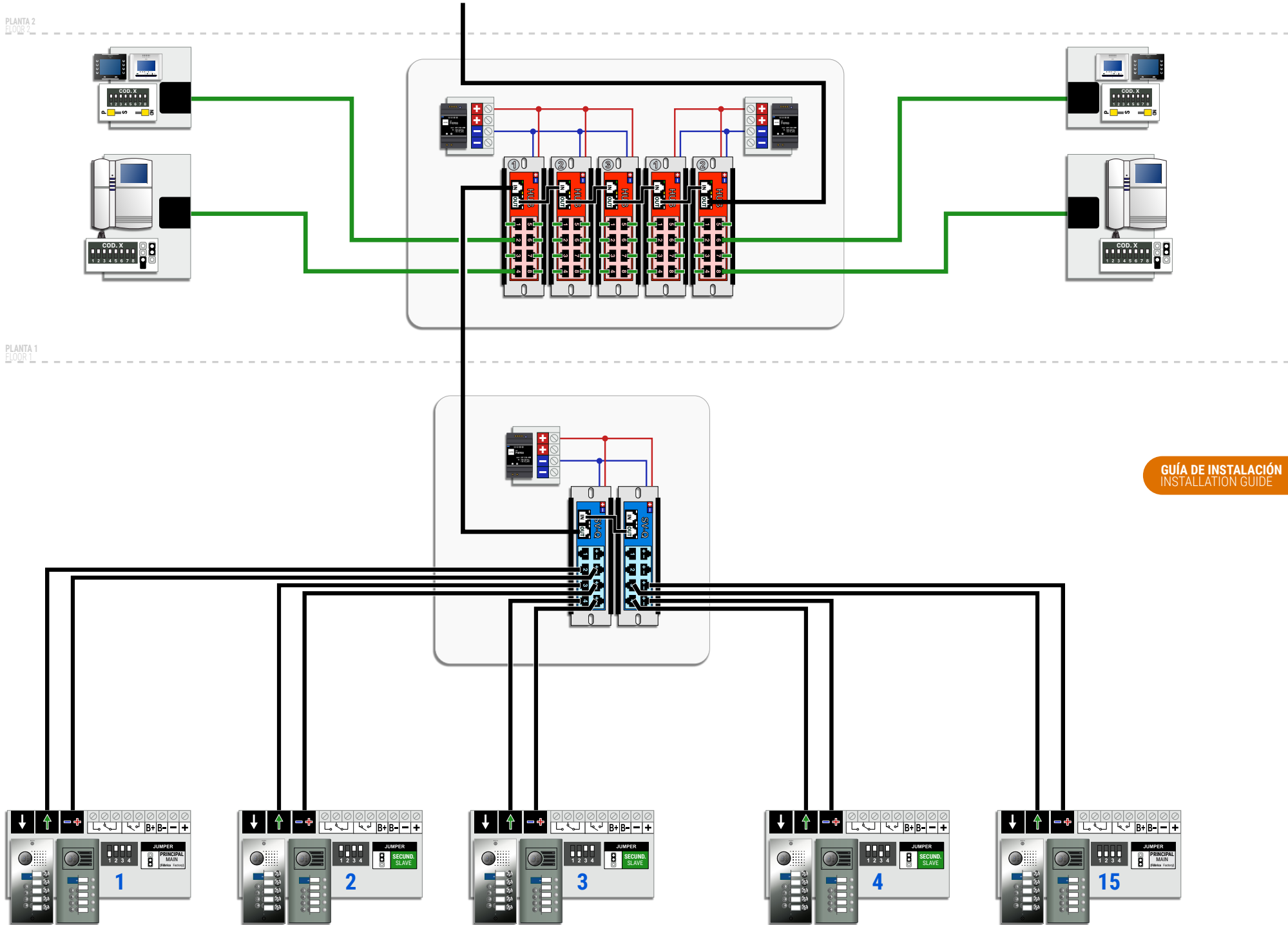
## DISTRIBUCIÓN DE VIVIENDAS FLATS DISTRIBUTION

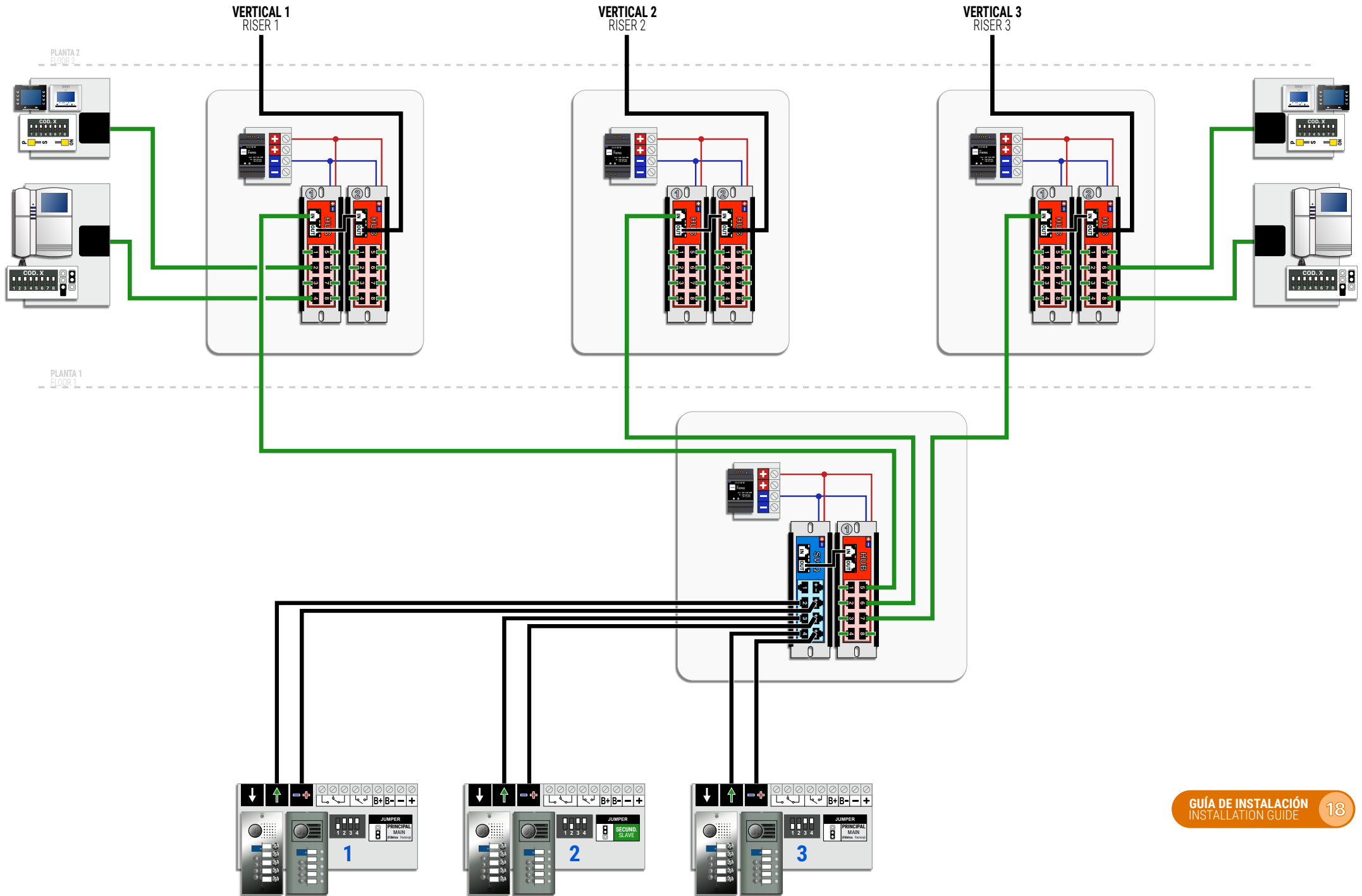
|   |           |
|---|-----------|
| <b>ESTANDAR</b> STANDARD .....  | <b>15</b> |
| <b> AISLAMIENTO COMPLETO EN VIVIENDA (ISO)</b> FULL ISOLATION IN FLAT (ISO) ..... | <b>16</b> |
| <b>MIXTO (ESTANDAR + AISLADO)</b> MIXED (STANDARD + ISOLATED) .....               | <b>17</b> |

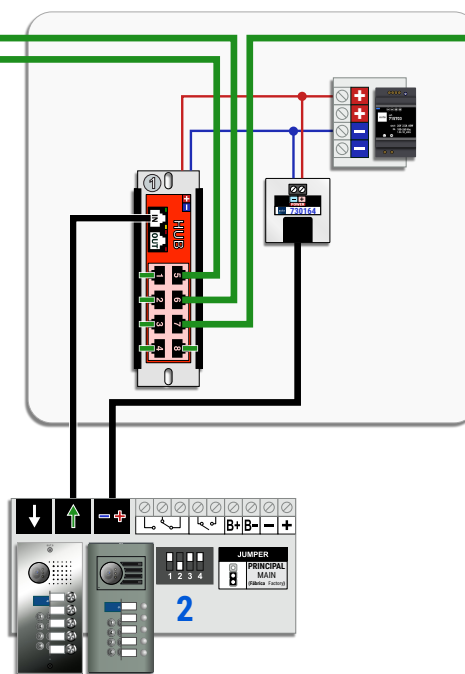
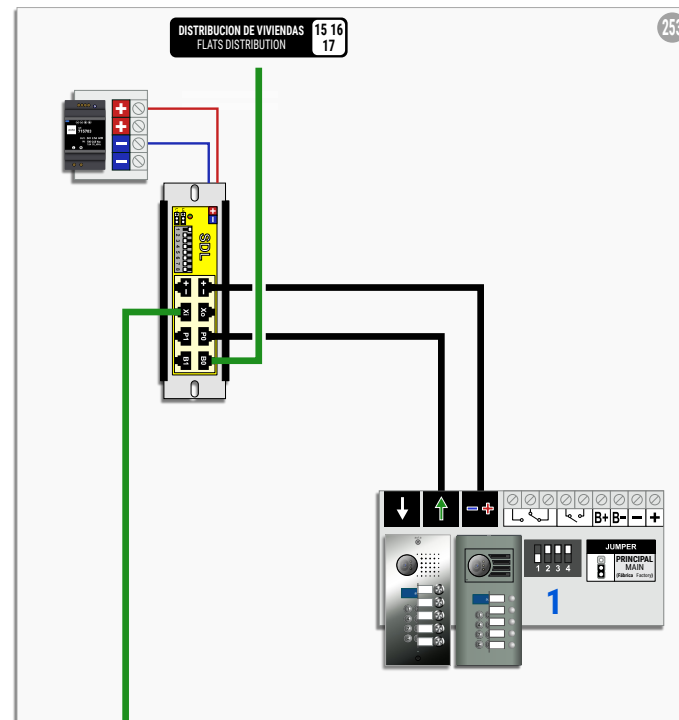
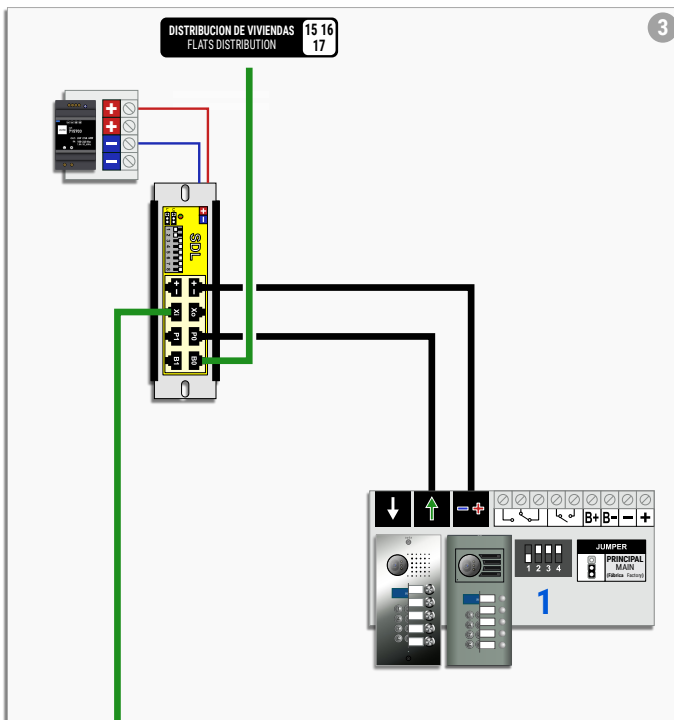
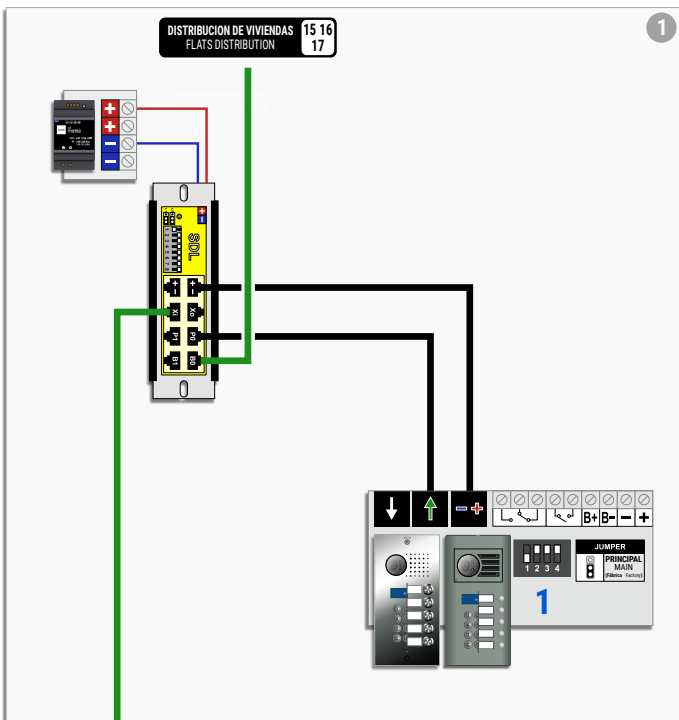
|   |           |
|---|-----------|
| <b>GUÍA DE INSTALACIÓN</b> INSTALLATION GUIDE ..... | <b>18</b> |
|---|-----------|

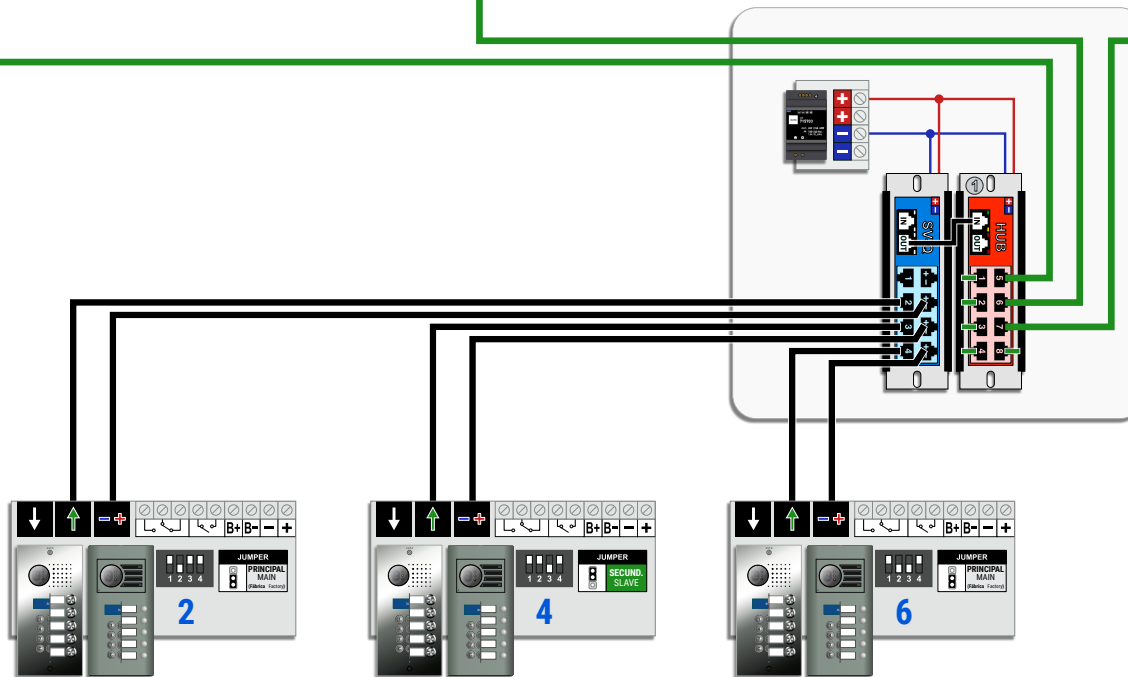
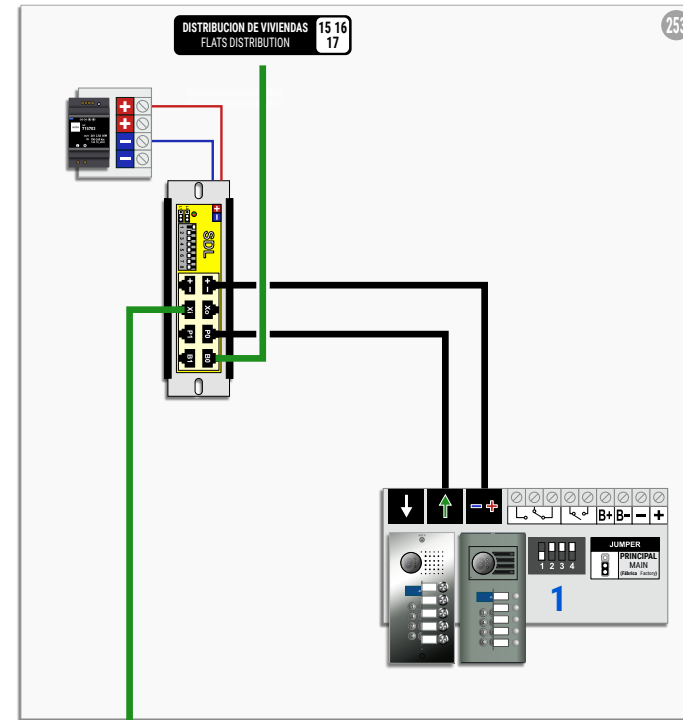
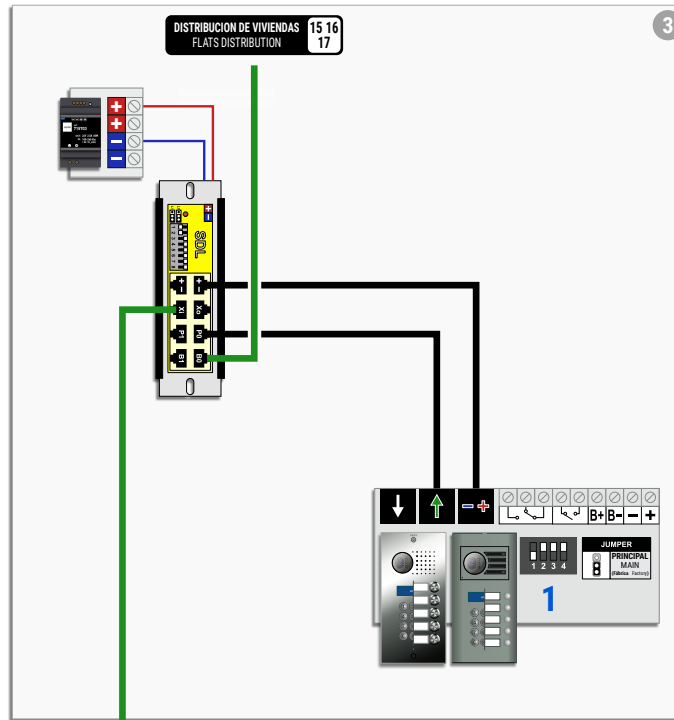
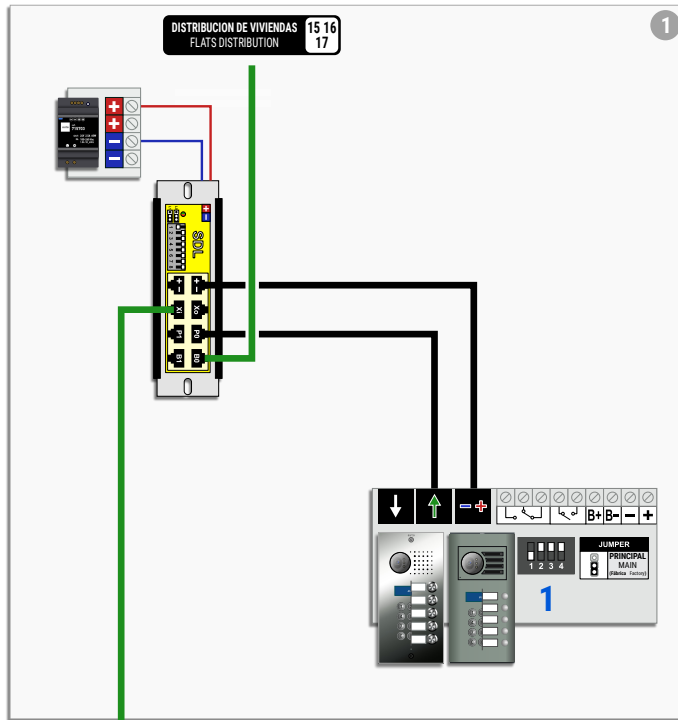




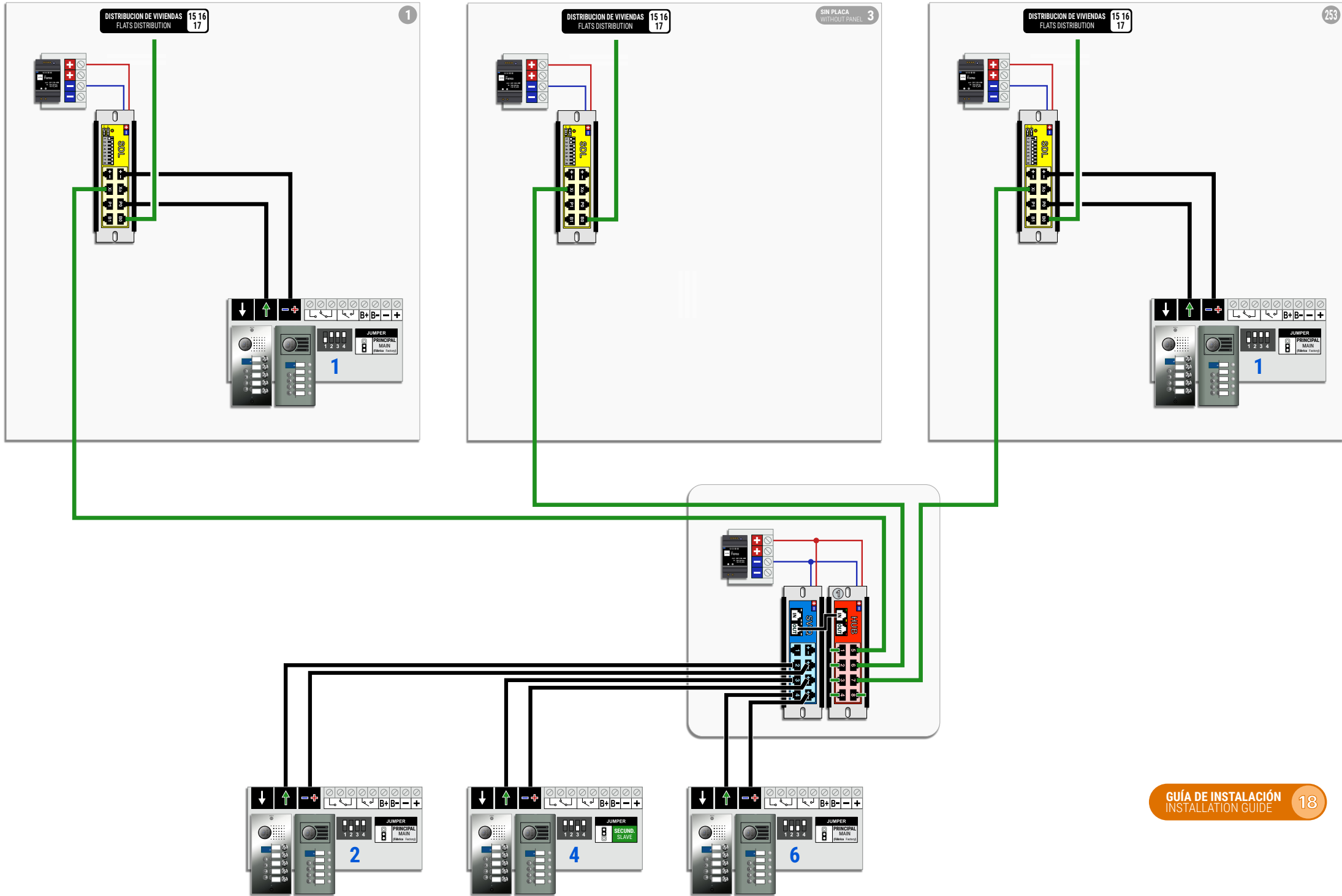


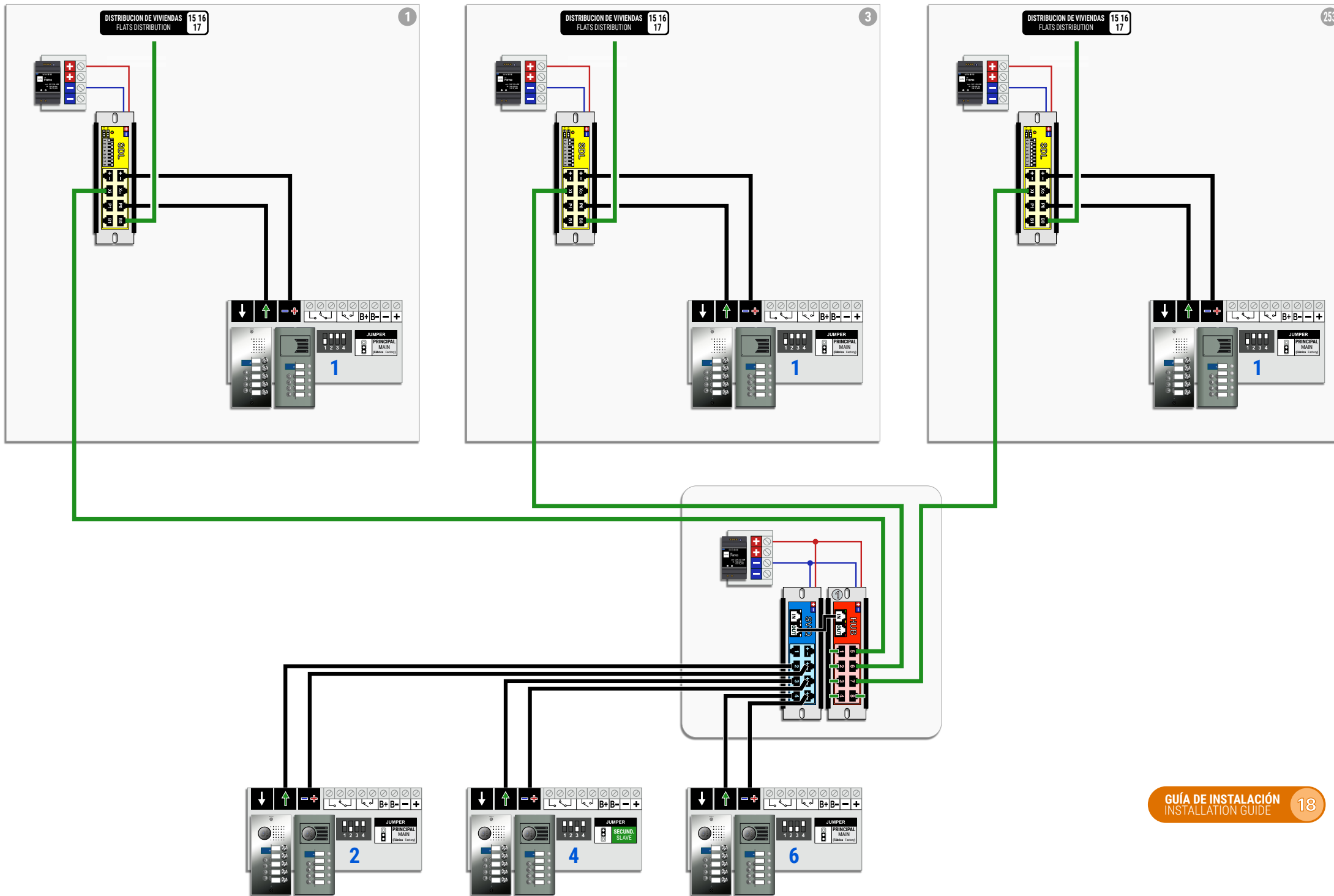


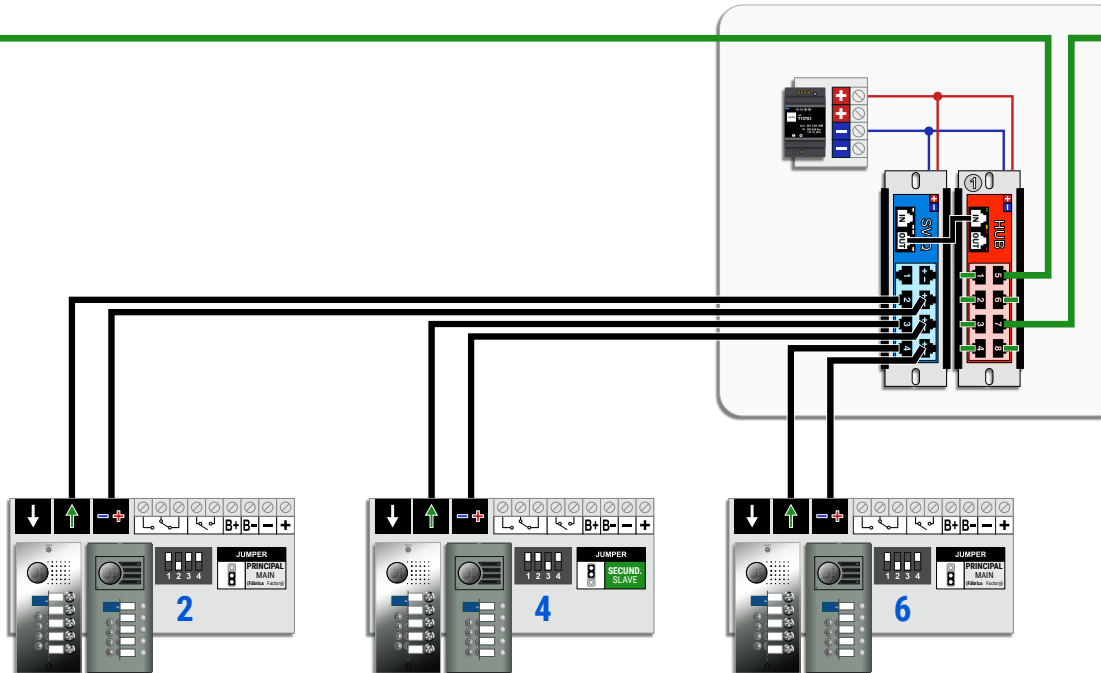
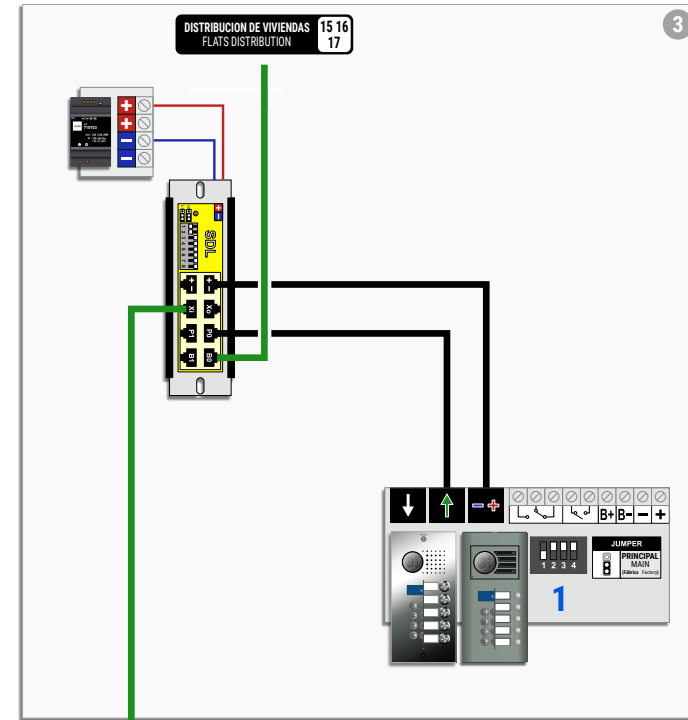
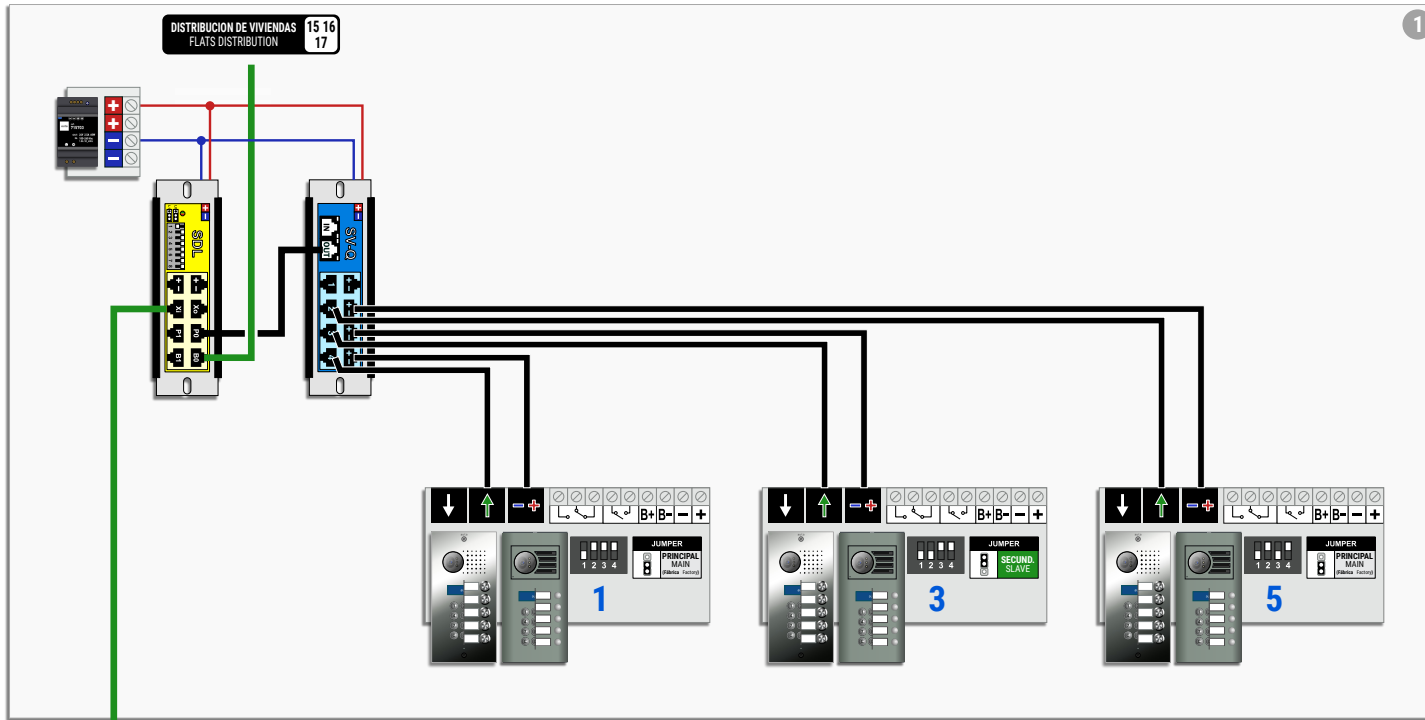










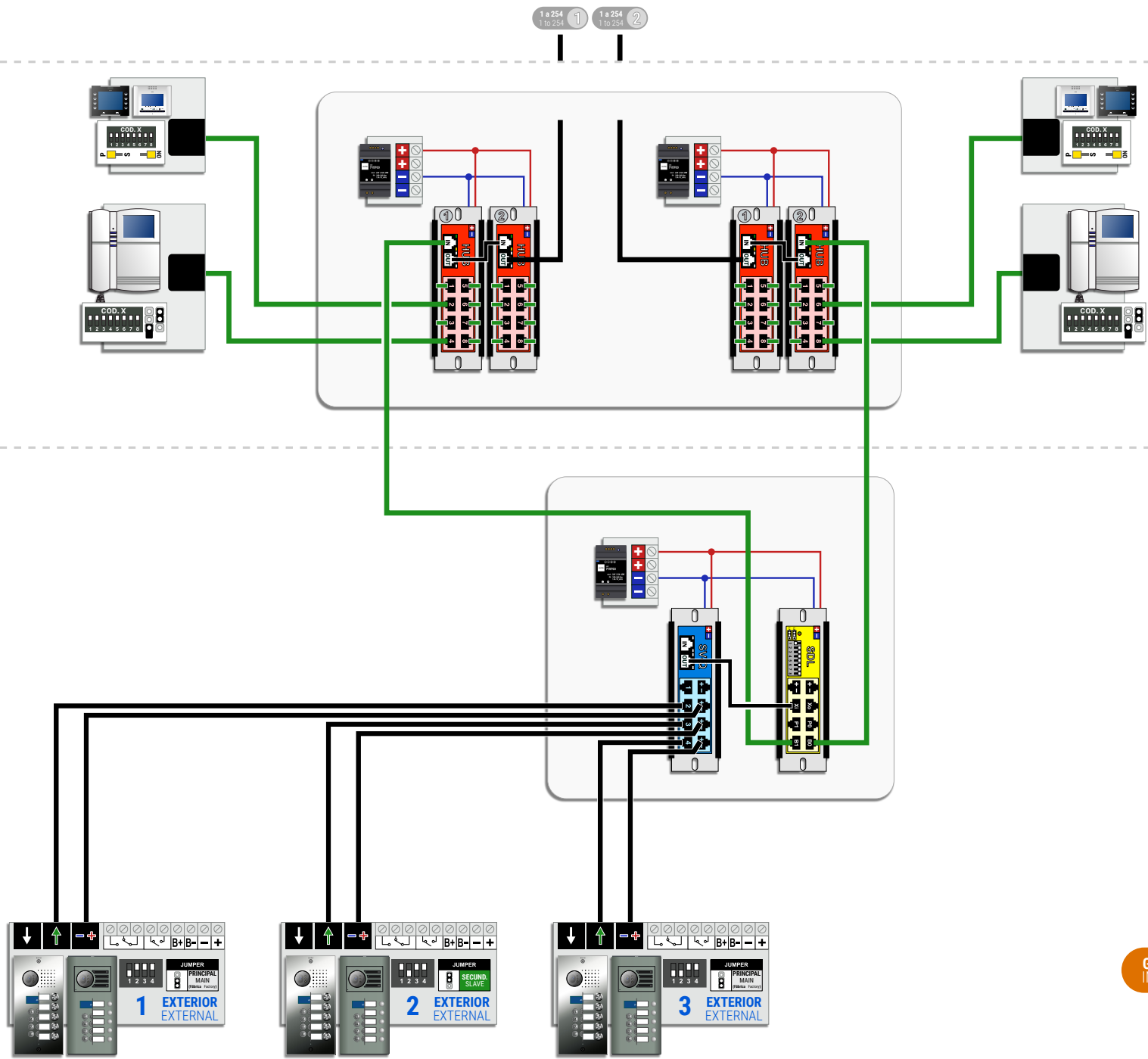


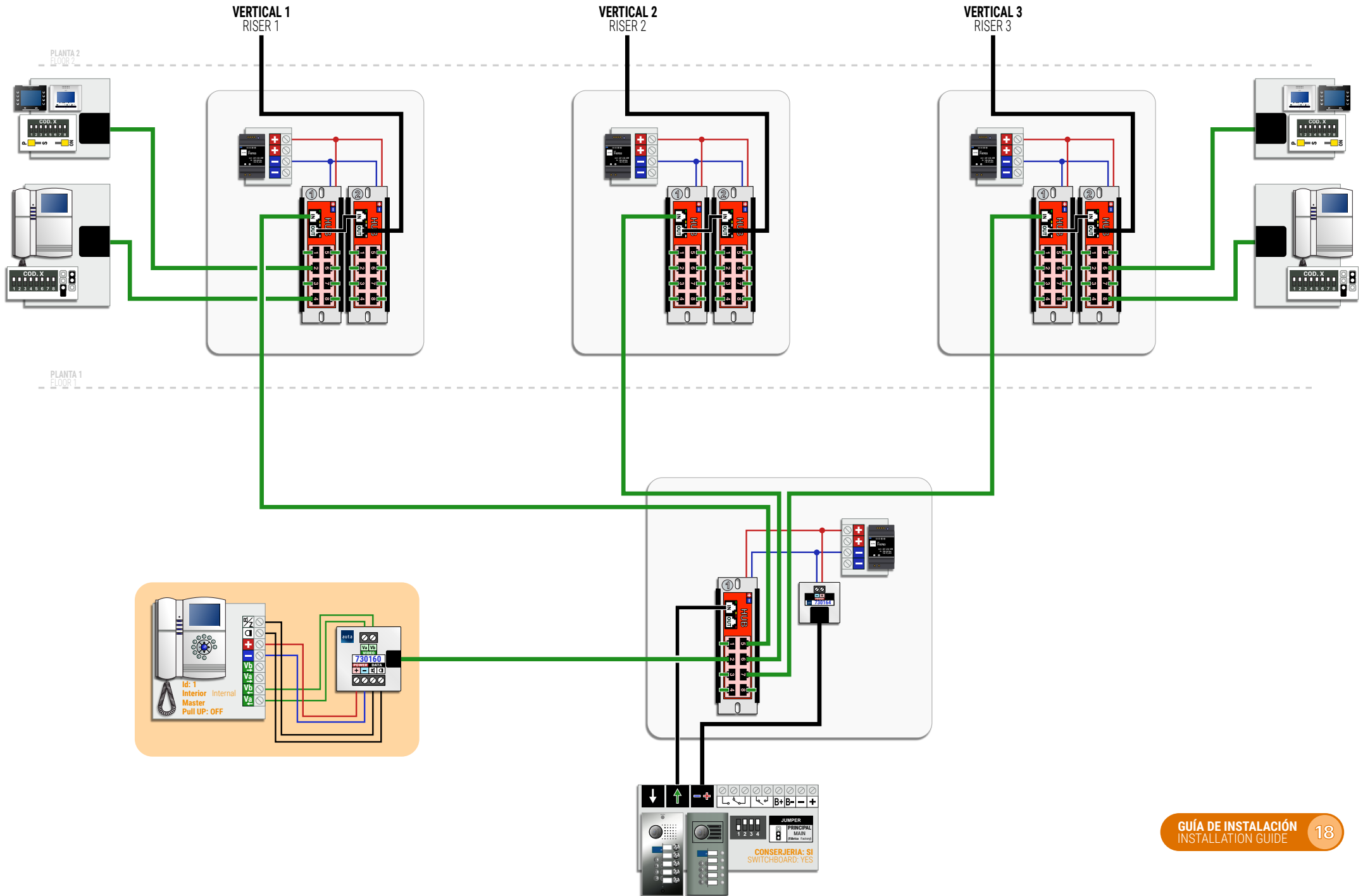
PLANTA 2  
 FLOOR 2

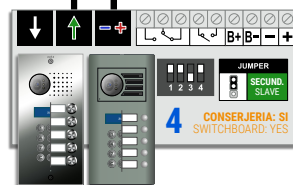
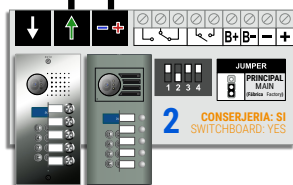
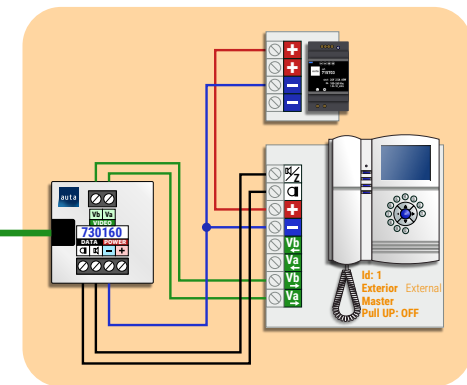
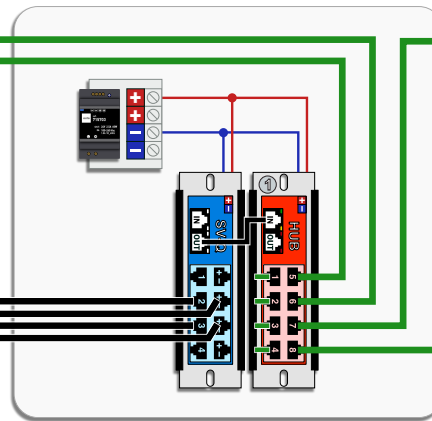
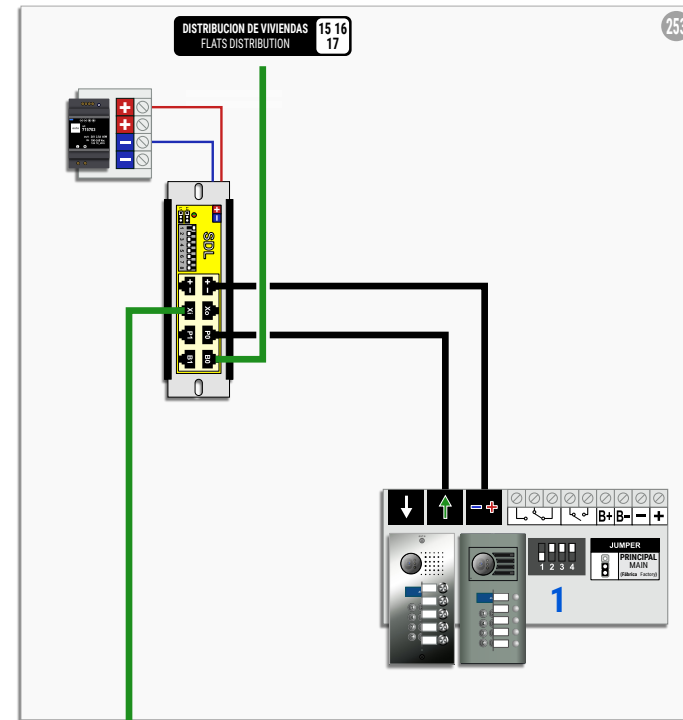
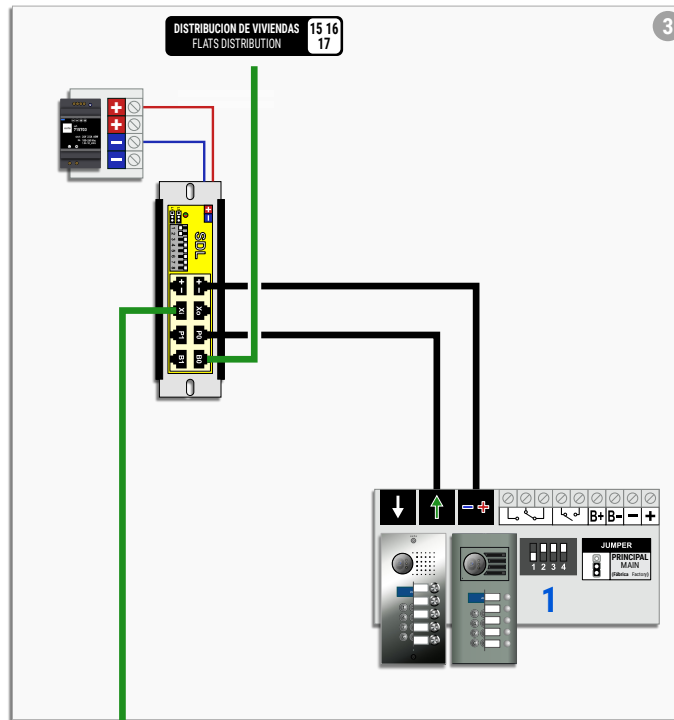
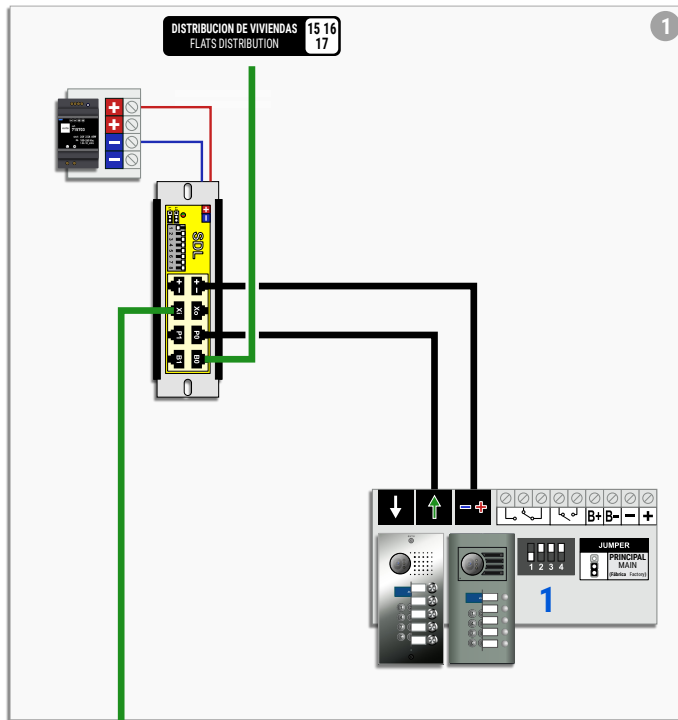
1 a 254  
 1 to 254

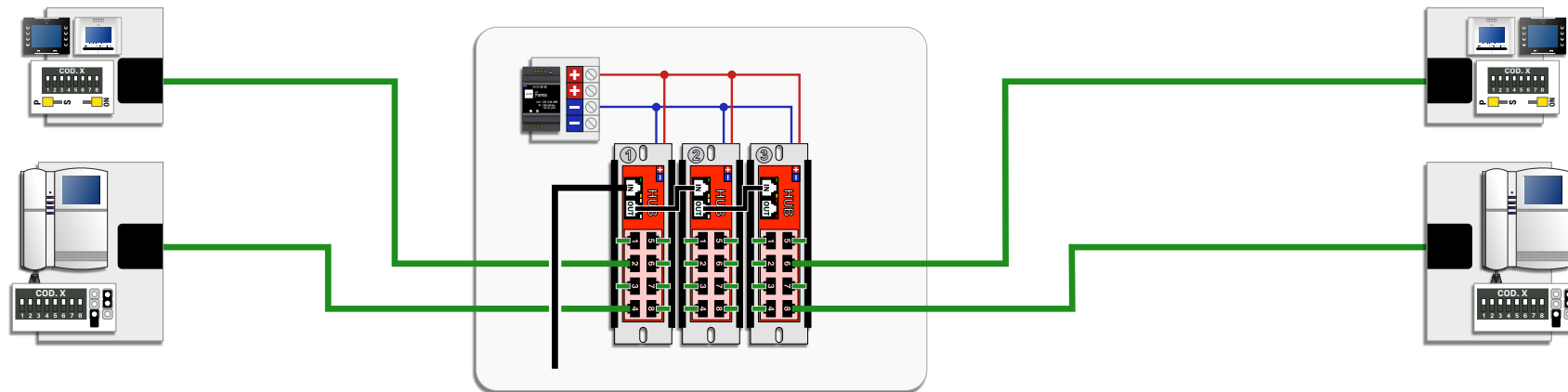
1 a 254  
 1 to 254

PLANTA 1  
 FLOOR 1



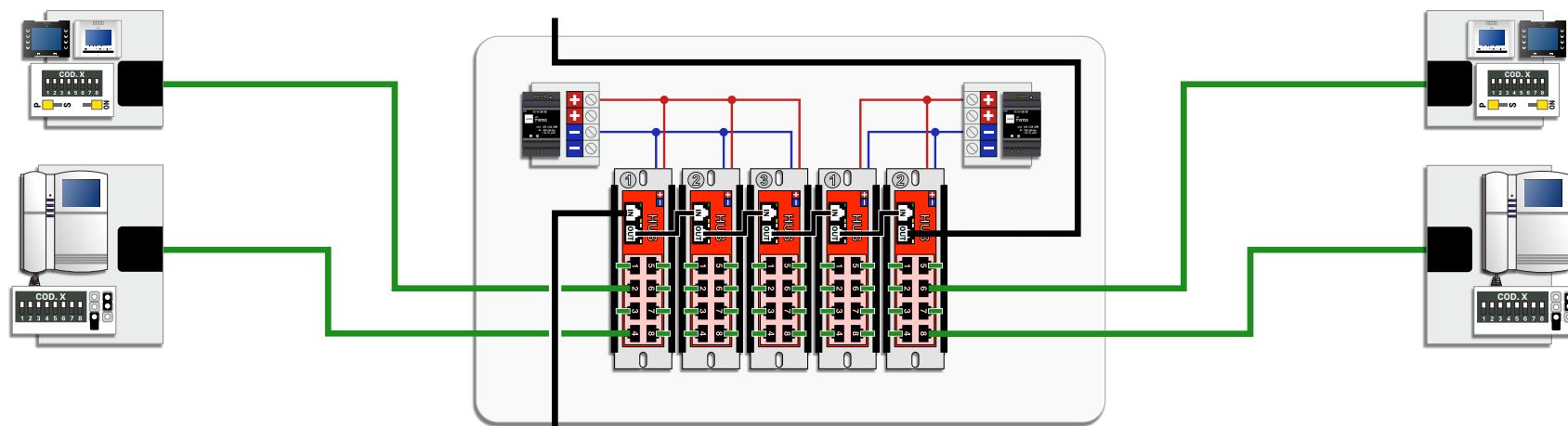




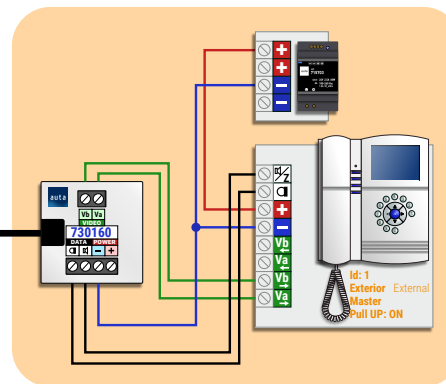


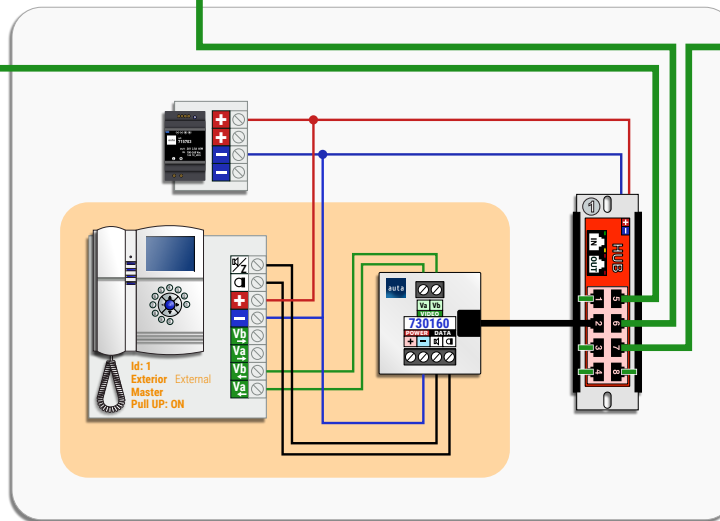
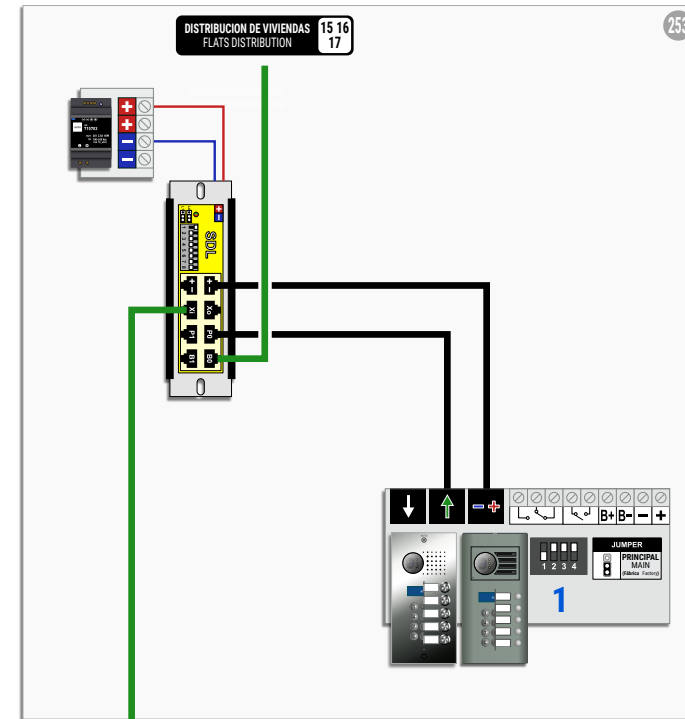
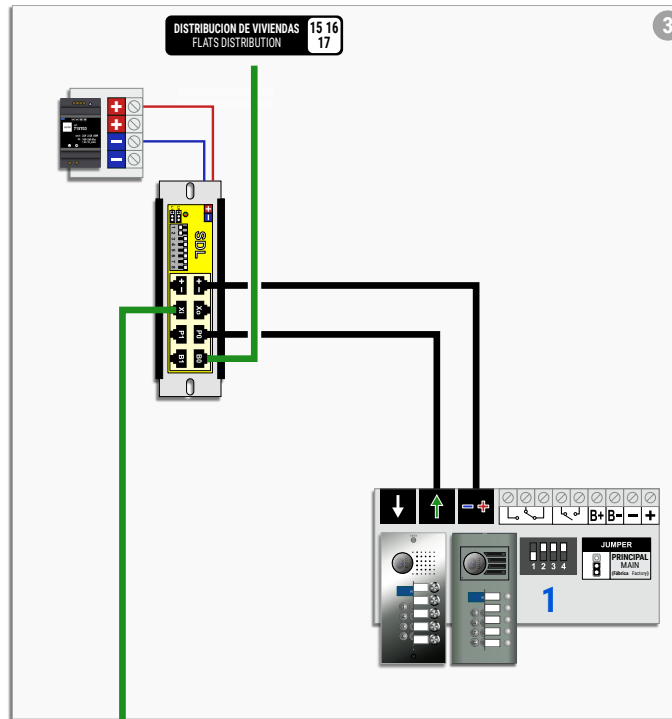
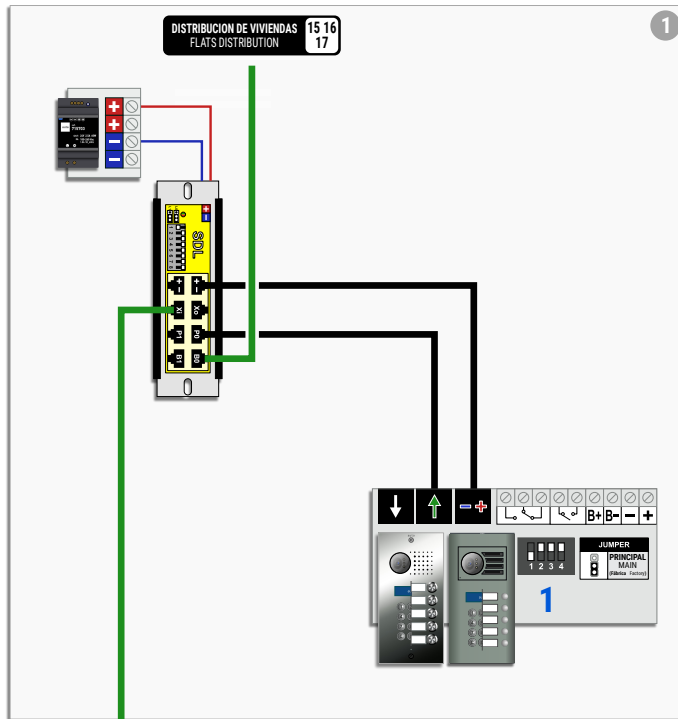
ULTIMA PLANTA  
LAST FLOOR

PLANTAS INTERMEDIAS  
INTERMEDIATE FLOORS

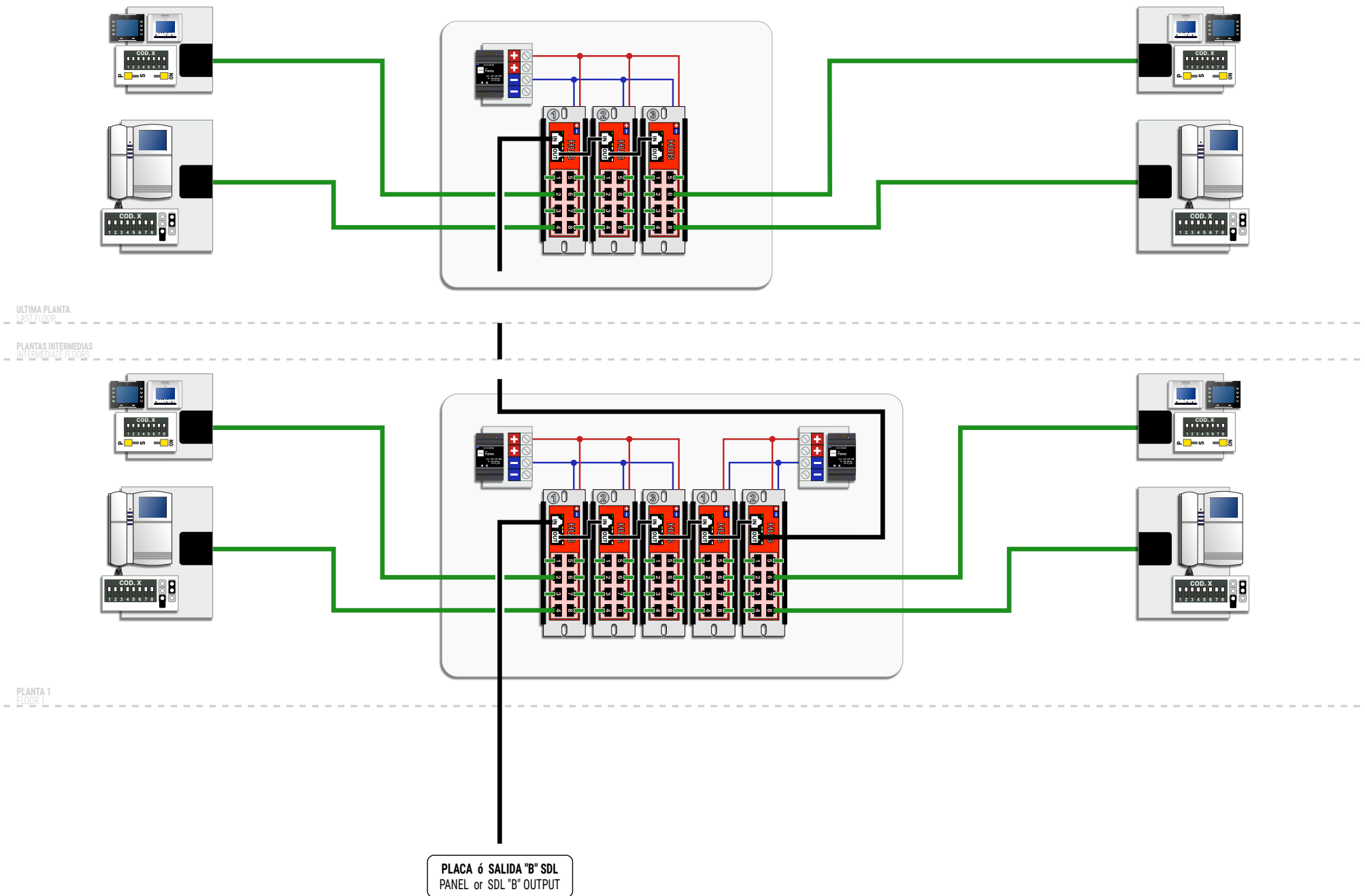


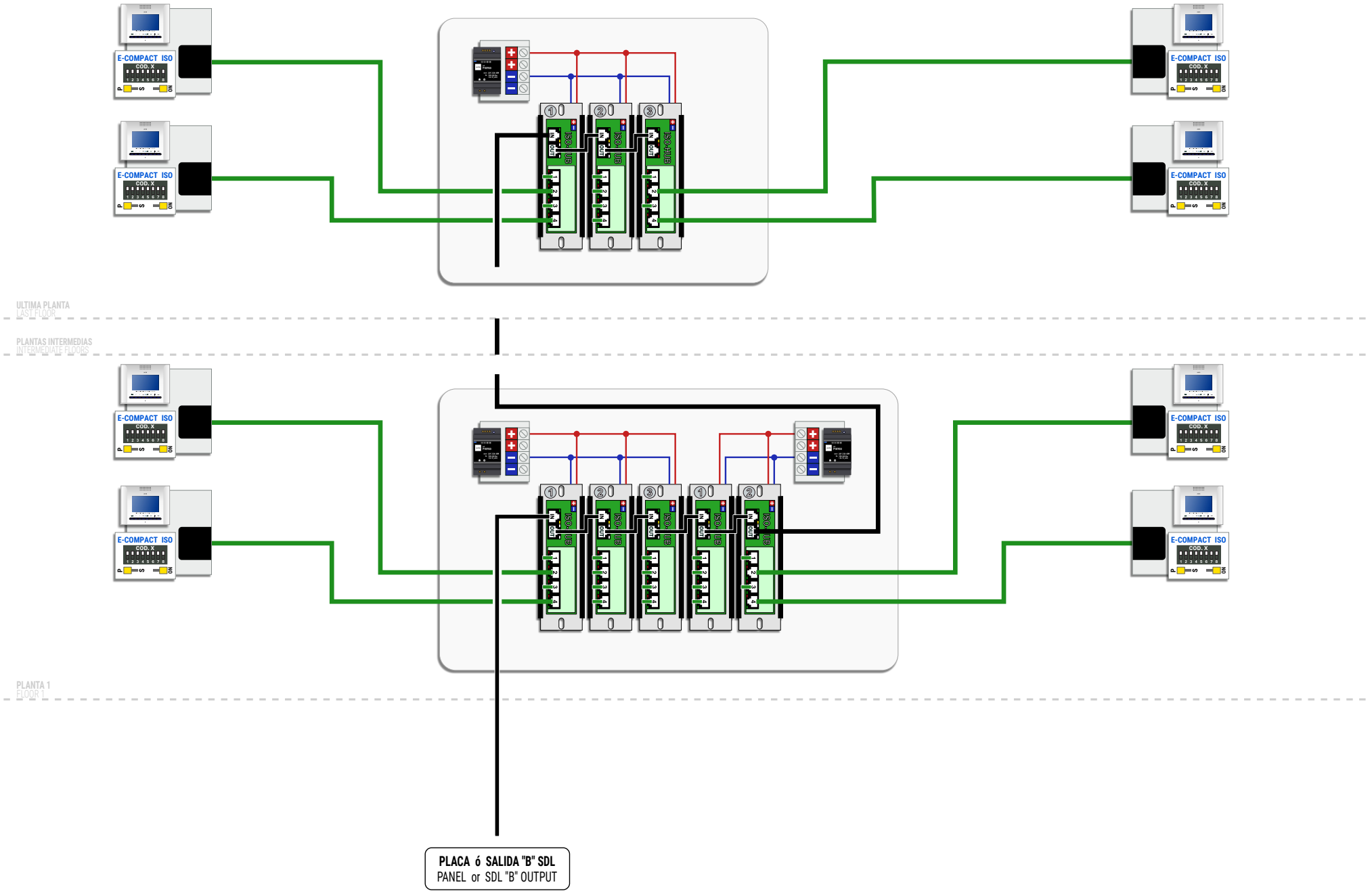
PLANTA 1  
FLOOR 1

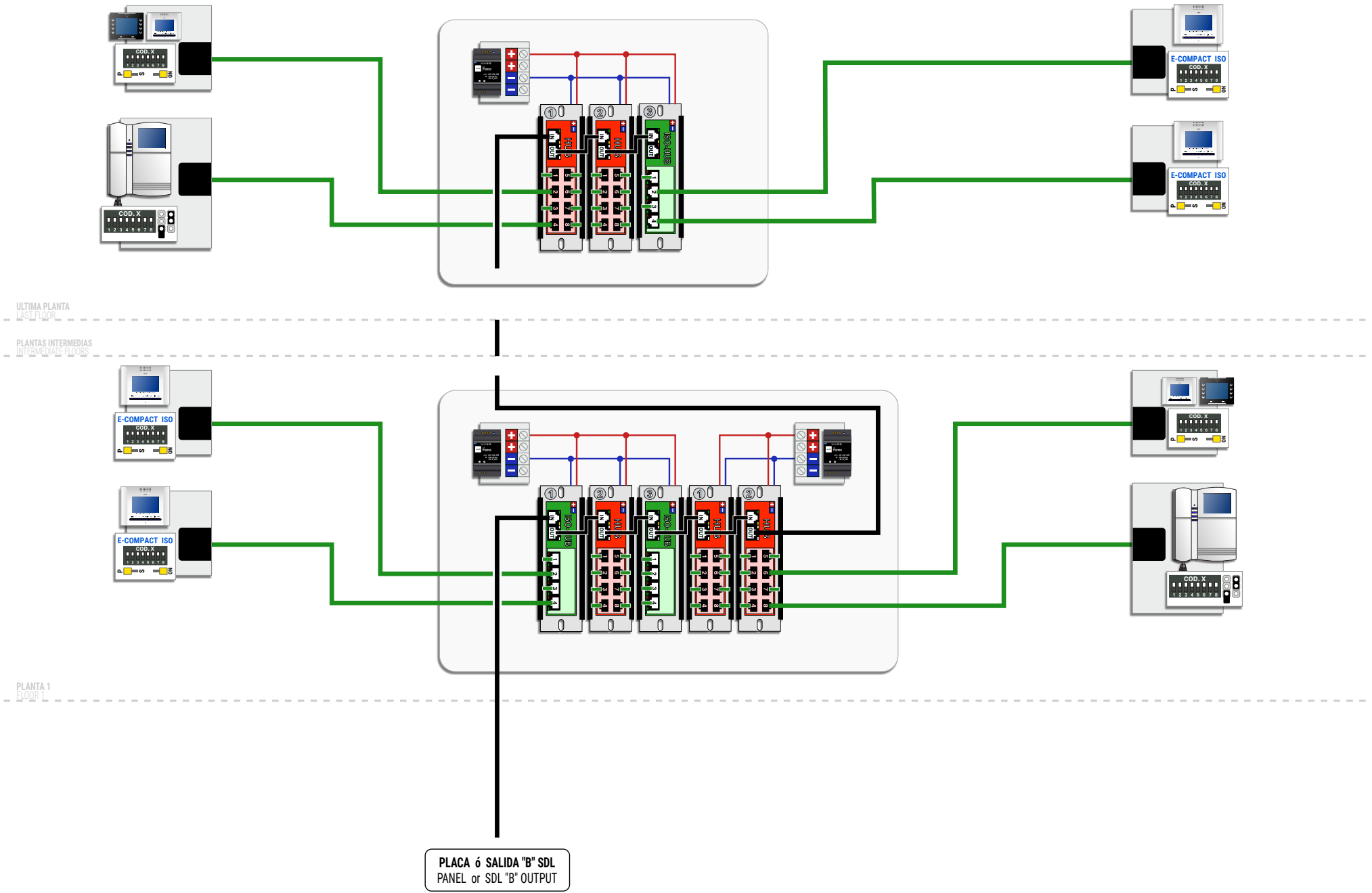









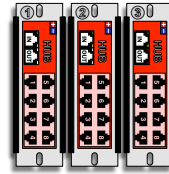





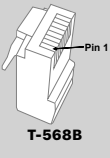




PLACA ó SALIDA "B" SDL  
 PANEL or SDL "B" OUTPUT

## Nº MÁXIMO DE ELEMENTOS MAX. NUMBER OF ELEMENTS

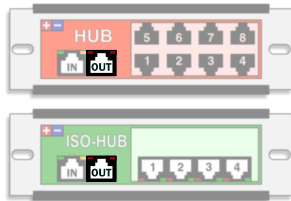
| ELEMENTOS<br>UNITS  | ALV-2.5A<br>(715703)                      |
|---|---|
|  | <b>1 Celda_24 Viv.</b><br>1 Cell_24 Flats |



## SECCIONES RECOMENDADAS RECOMMENDED SECTIONS

| CAT<br>5/6/FTP  | AUTA |  |
|---|------|--|
|  | +    | <br>Pin 1 |
|  | -    |  |
|  | Va   |  |
|  | Vb   |  |
|  | Ⓜ    |  |
| 100% COBRE 100% COPPER  |      |  |
| T-568B  |      | 1 2 3 4 5 6 7 8  |

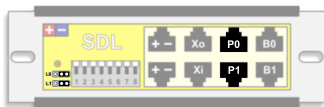
## CONFIGURACIÓN DE VIDEO VIDEO CONFIGURATION




**APAGAR LAS LUCES ROJAS DE CARGA EN TODOS LOS HUBS DE LA MISMA LINEA EXCEPTO EN EL ÚLTIMO.**


SWITCH OFF ALL RED LOAD LIGHTS IN ALL HUBS OF THE SAME LINE EXCEPT IN THE LAST ONE.

## CONFIGURACIÓN DE LINEA LINE CONFIGURATION




**L0**  **SISTEMAS CON PLACA INTERIOR CONECTADA EN P0**


SYSTEMS WITH INNER PANEL CONNECTED AT P0

**L0**  **SISTEMAS SIN PLACA INTERIOR CONECTADA EN P0**

SYSTEMS WITHOUT INNER PANEL CONNECTED AT P0

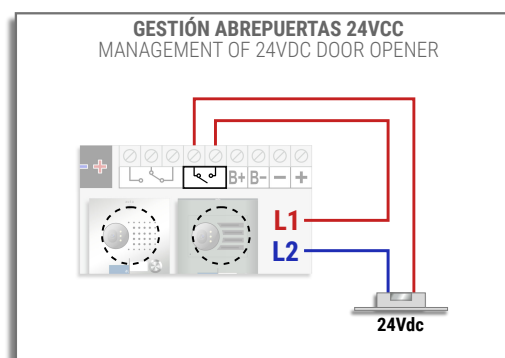
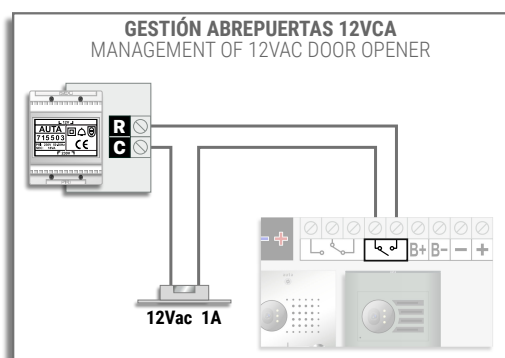
**L1**  **SISTEMAS CON PLACA INTERIOR CONECTADA EN P1**

SYSTEMS WITH INNER PANEL CONNECTED AT P1

**L1**  **SISTEMAS SIN PLACA INTERIOR CONECTADA EN P1**

SYSTEMS WITHOUT INNER PANEL CONNECTED AT P1

## GESTIÓN DE ABREPUERTAS DOOR OPENER MANAGEMENT





auta.es

**auta**

Bringing people together

V 2.0