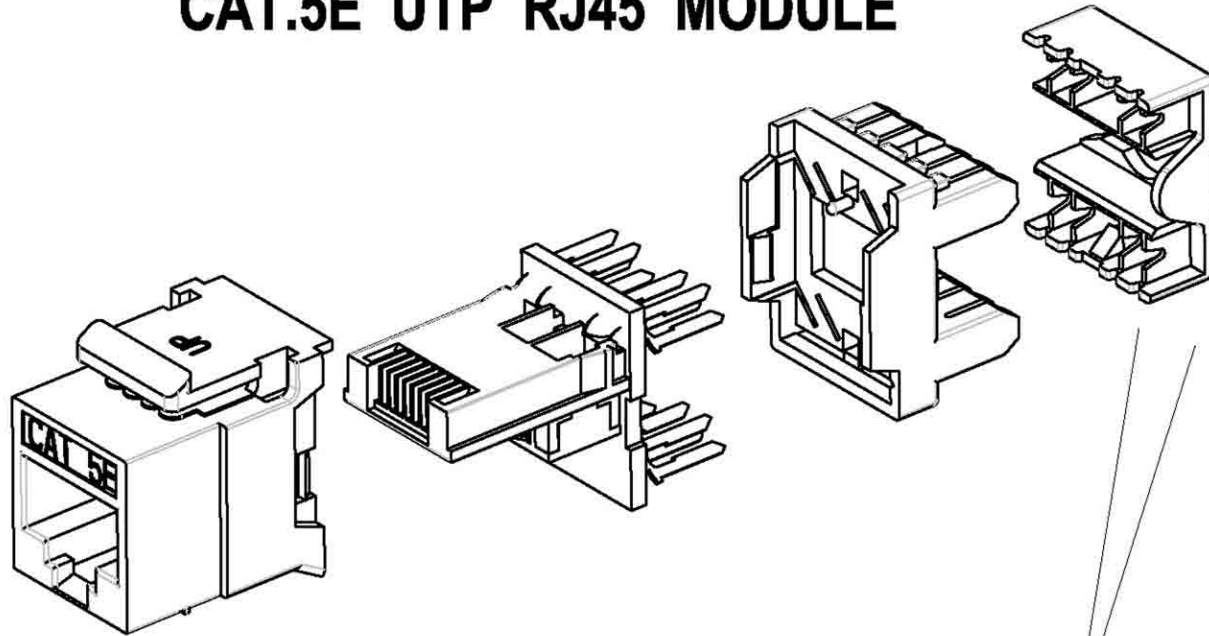


# CAT.5E UTP RJ45 MODULE



## Performance:

Meets Cat.5E EIA/TIA 568B.1 Standard.

## Materials:

Modular Housing : Fireproof PC/ABS UL-94V0

Modular Cover : Fireproof PC UL-94V0

RJ-45 Jack Insert : Housing-PBT/

UTP 8P8C 6 micro inches gold plated

PCB : FR-4/1.6mm UL-94V0

IDC Body : Fireproof PC/ABS UL-94V0

IDC Pin : Bronze & Tinned

Label Color Code : T568 A/B

IDC Terminal: For 22-26 AWG Cable

## Electrical Specifications:

Insulation Resistance: 500M ohms (min.)

Contact Resistance: 20m ohms (max.)

Current Rating : 1.5 Amps.

DC Resistance: 0.1 ohms(max.)

Withstanding Voltage : 1000 VAC RMS @ 60Hz/ 1 min.

## Mechanical Specifications:

IDC Punch Down Cycle : Over 25 Cycles (min.)

RJ-45 Jack Insertion Cycle : 750 Cycles (max.)

acc. to IEC60603-7-2

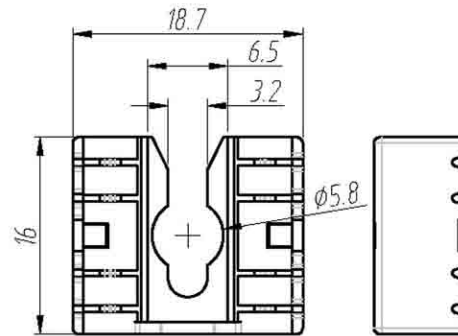
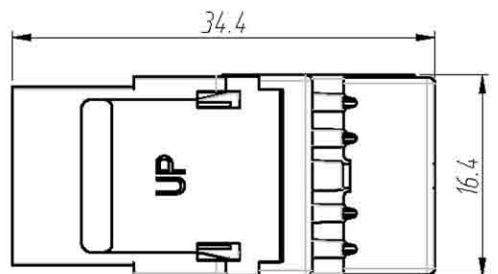
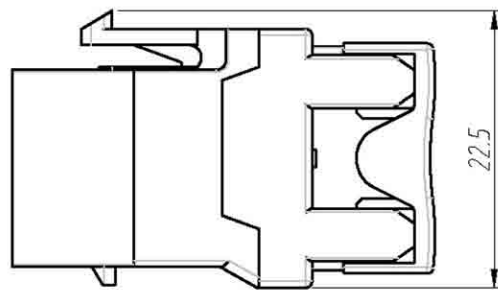
## Certifications

4 connector link certified by GHMT

## Accessory:

Instruction Sheet

DRAW NO:		ITEM NO:		FK-1007-C5B	
APPR		Johnny Wang		CUSTOMER NO: 11201155	
UNIT:	mm	DESIGN	Guo lili	changed	01.03.2012
SCALE:	TOLERANCE		.±1	.±0.2	.XX±0.15



ROHS compliant

