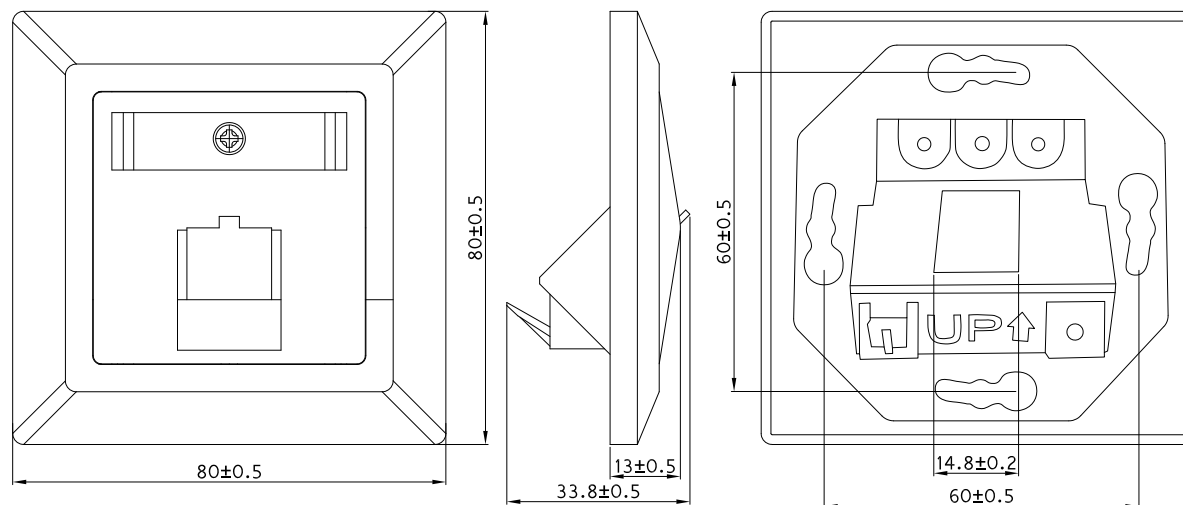


Presentation



Mechanical

Operating temperature : -10~60°C
Operating humidity : 10%~90%RH
Storage temperature : -40°C TO 68°C

Physicals

Plastic Parts: High quality engineering plastic
Metal Parts: Zinc Die-Casting with Sand blasting

Standards Verification:

ANSI/TIA-568.2-D;
ISO/IEC TR 11801-9901-2014;
ISO/IEC 60603-7-41;
YD/T 926.3-2009 .

Photo

