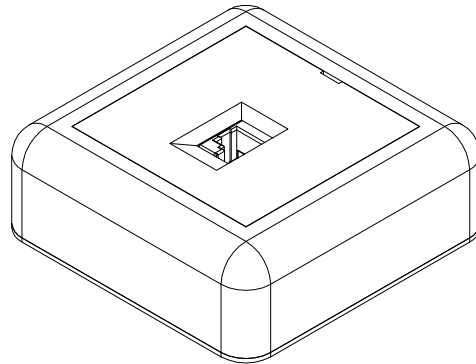
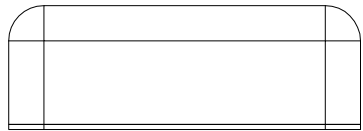
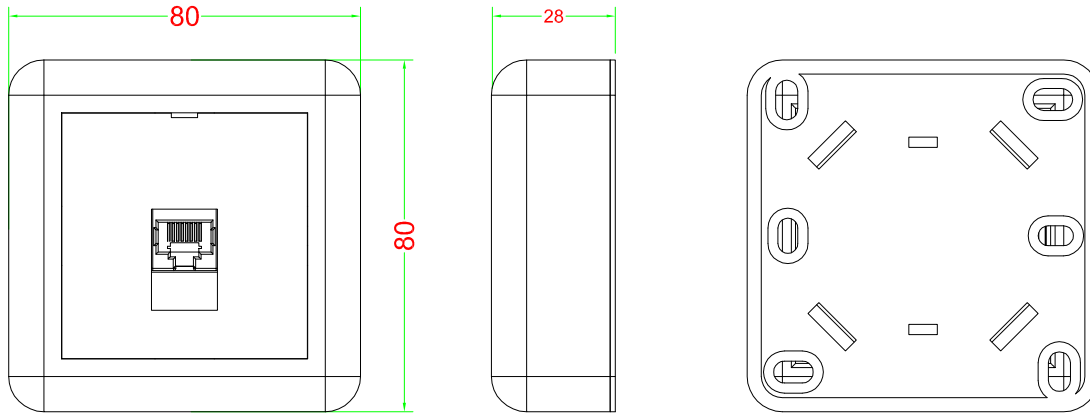


Surface Mount Wall Box



Performance:

Meets C6A EIA/TIA 568C Standard.

Materials:

Body : Fireproof ABS UL-94V0
 Jack : 8P8C 50 micro inches gold plated
 PCB : FR-4 / UL-94V0
 IDC Body : Fireproof ABS UL-94V0
 IDC Pin : Bronze & Tinned

IDC Description : For 22-26 AWG.
 For 110 or Krone punch-down Tool

Electrical Specifications:

Insulation Resistance : 500M ohms (min.)
 Contact Resistance : 20m ohms (max.)
 Current Rating : 1.5 Amps .
 DC Resistance : 0.1 ohms (max.)
 Withstanding Voltage : 1000 VAC RMS @ 60Hz / 1 min.

Mechanical Specifications:

IDC Punch Down Cycle : Over 250 Cycles (min.)
 Jack Insertion Cycle : Over 2000 Cycles (min.)

Operation Temperature : -40 °C ~ +70 °C

DRAW NO:			ITEM NO:	30702001
	APPR		CUSTOMER:	
UNIT: m/m	DESIGN	dGroup as	DATE:	
SCALE:	Ref. NO:		TOLERANCE:	X ± 1 · X ± 0.2 · XX ± 0.15

