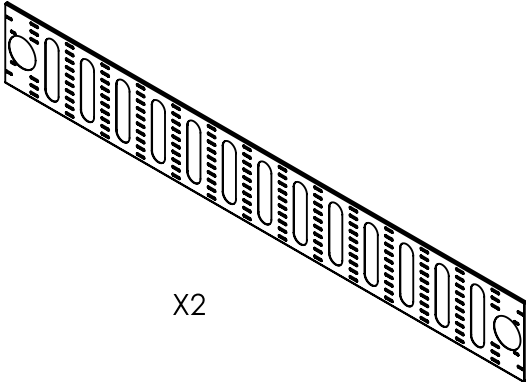




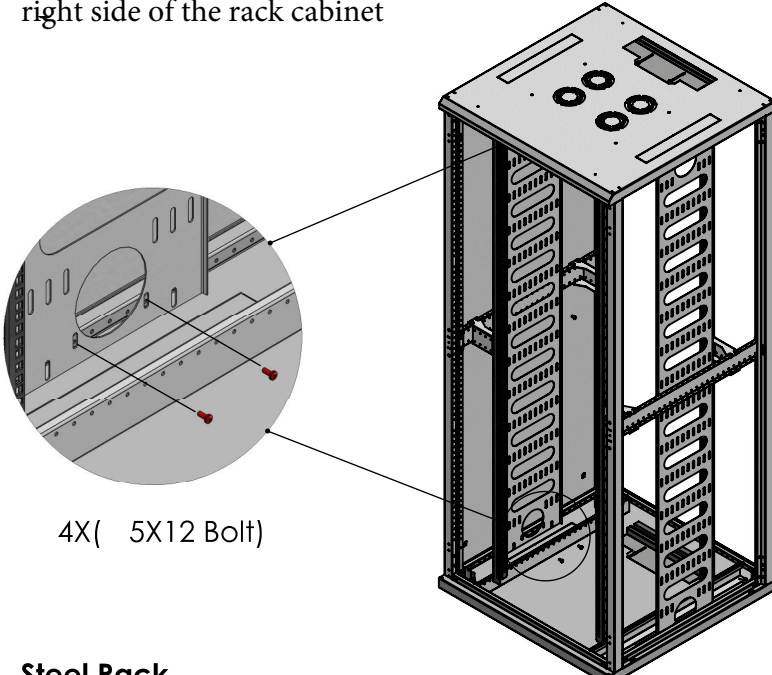


Vertical Side Cable Organizer Type 2

Assembly Instructions

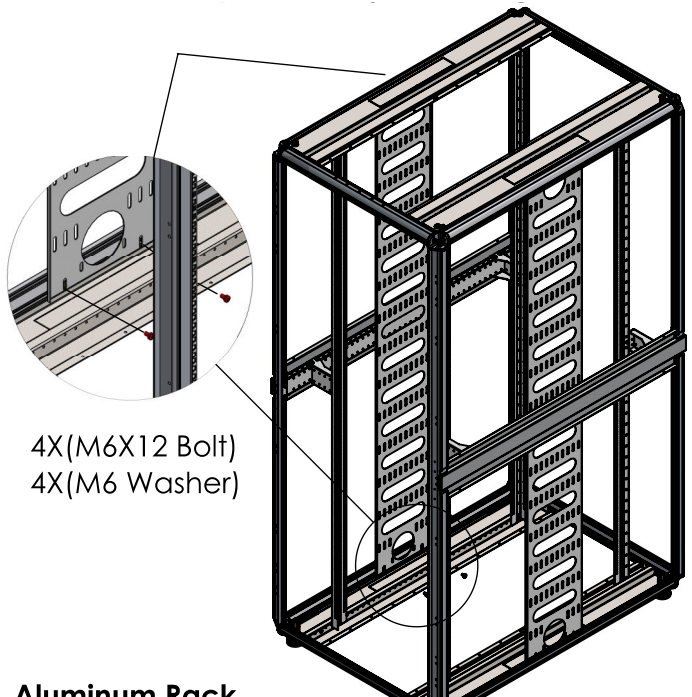
|  <p>X2</p> | For Steel Cabinets | For Aluminum Cabinets |
|--|--|---|
| |  <p>10X(M5X12 Bolt)</p> |  8X(M6X12 Bolt)  8X(M6 Washer)  8X(M6 Nut) |

Follow the same instruction for left & right side of the rack cabinet



4X(M5X12 Bolt)

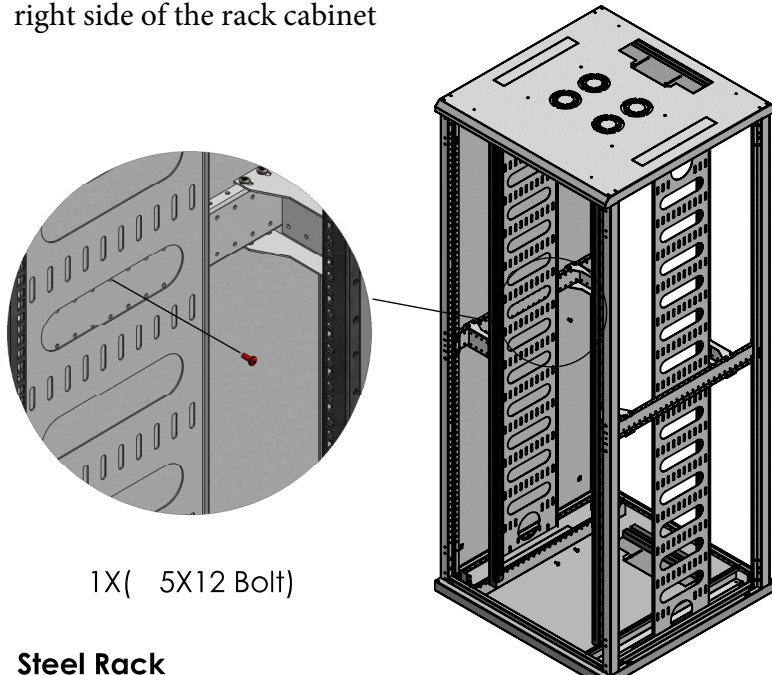
Steel Rack



4X(M6X12 Bolt)
4X(M6 Washer)

Aluminum Rack

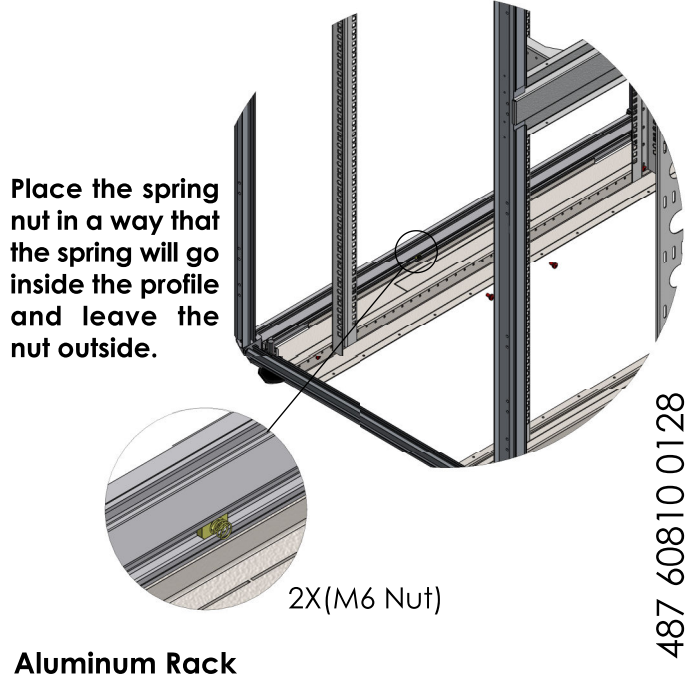
Follow the same instruction for left & right side of the rack cabinet



1X(M5X12 Bolt)

Steel Rack

Place the spring nut in a way that the spring will go inside the profile and leave the nut outside.



2X(M6 Nut)

Aluminum Rack