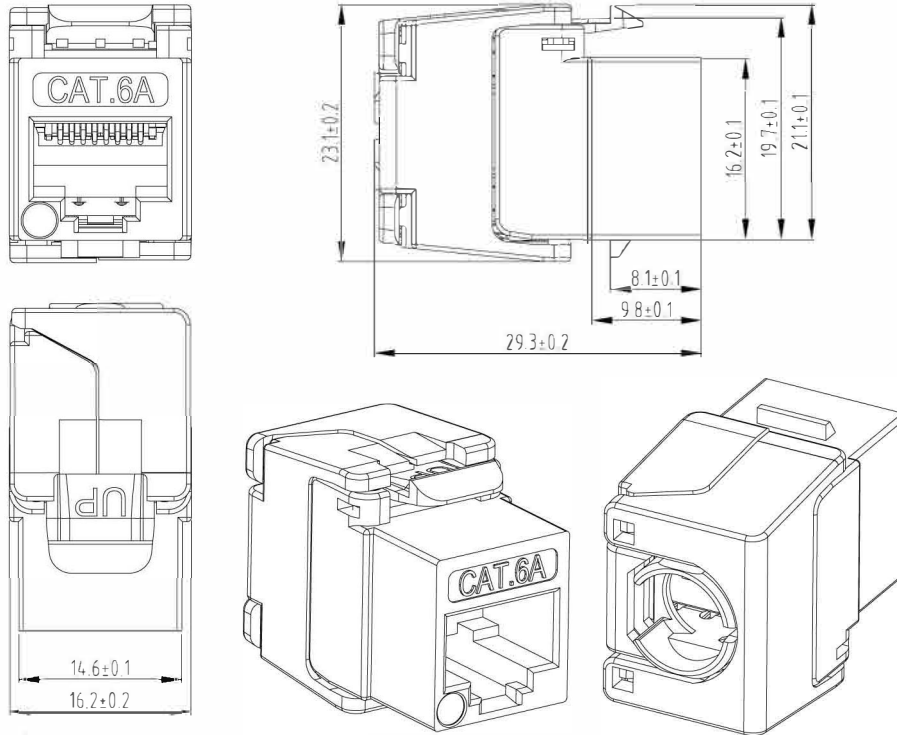
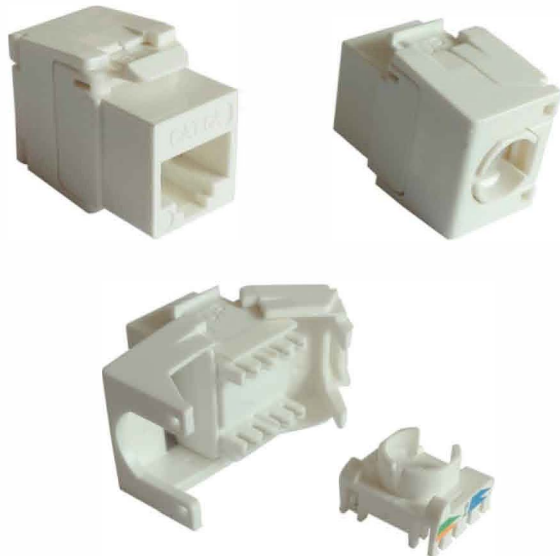


Mini Size 180Degree unshielded keystone jack , Cat5e/Cat.6/Cat.6A available, Toolless

Presentation



Photo



Electrical

Current Rating:	1.5 Amps
Insulation Resistance:	≥ 500 MΩ
Contact Resistance:	≤ 10 mΩ
DC Resistance:	≤ 0.1 Ω
DC/AC Volt Endurance:	DC1000V/AC750V 1min

Mechanical

Plug Insertion Life ≥ 750 Cycles WITH FCC COMPLIANT RJ-45 PLUG
 Plug & Jack Contact Force ≥ 100 Grams WITH FCC COMPLIANT RJ-45 PLUG
 Plug Retention Force: ≥ 11 lbf
 DURABILITY : 200 TERMINATION CYCLES
 OPERATING TEMPERATURE : -10~60°C
 OPERATING HUMIDITY : 10%~90%RH
 STORAGE TEMPERATURE : -40°C TO 68°C

Physicals

Plastic Parts: High impact flame retardant plastic,
 UL 94V-0 rated
 PCB: FR-4, 1.2mm Thickness
 Jack Wire: 0.35 mm Phosphor bronze gold over nickel plating
 IDC CONDUCTOR: 0.5mm Phosphor bronze, tin-plating
 CONTACT COMPATIBILITY :
 ACCOMMODATES 26 TO 23AWG SOLID

Standards Verification

ANSI/TIA-568-C.2 ;
 ISO/IEC 11801 :2002/Amd.2:2010 ;
 YD/T 926.3-2009 ;
 ISO/IEC 60603-7 COMPLIANT ;
 RoHS directive 2002/95/EC compliant

PoE ++ Type 3

Gir 25 års systemgaranti etter dokumentert Poe Link sertifisering basert på at man bruker dGlinkUTP System kabler