

**8 Core Fiber Optic Distribution Box (Termination Box)**

**537015**

**Description:**

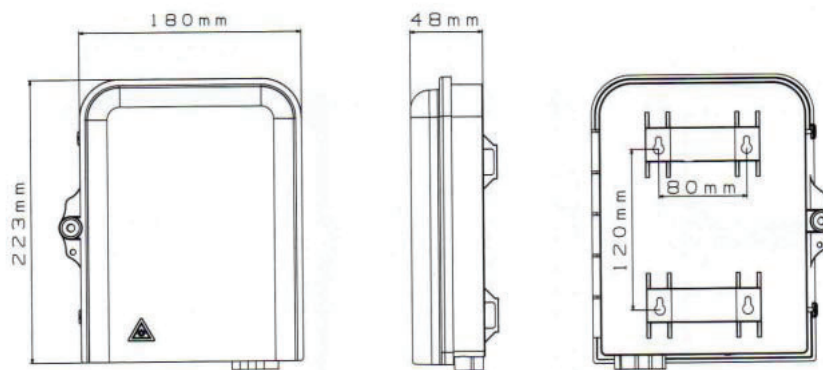
This equipment is used as a termination point for the feeder cable to connect with drop cable in FTTx communication network system. The fiber splicing, splitting, distribution can be done in this box, and meanwhile it provides solid protection and management for the FTTx network building

**Features:**

- ✓ Total enclosed structure, be in nice shape.
- ✓ Material: PC+ABS, wet-proof, water-proof, dust proof, anti-aging.
- ✓ Clamping for feeder cable and drop cable, fiber splicing, fixation, storage, distribution...etc all in one.
- ✓ Cable, pigtails, patch cords are running through own patch without disturbing each other, cassette type SC adapter installation, easy maintenance
- ✓ Distribution panel can be flipped up, feeder cable can be placed in a cup-joint way, easy for maintenance and installation.

**Specification:**

Environmental Requirement		Main Technical Data	
Working temperature	-40°C~+75°C	Insertion Loss	≤0.2dB
Relative humidity	≤85% (+30°C)	UPC return loss	≥50dB
Atmospheric pressure	70KPa~106Kpa	APC return loss	≥60dB



**OTB316-8E Size**