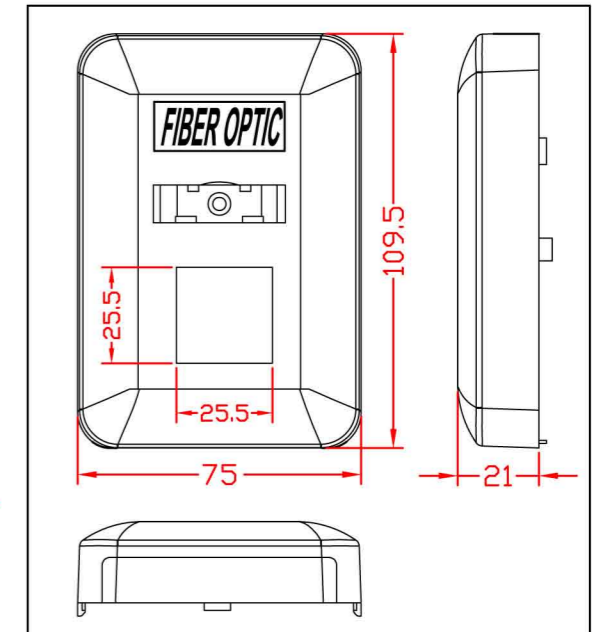
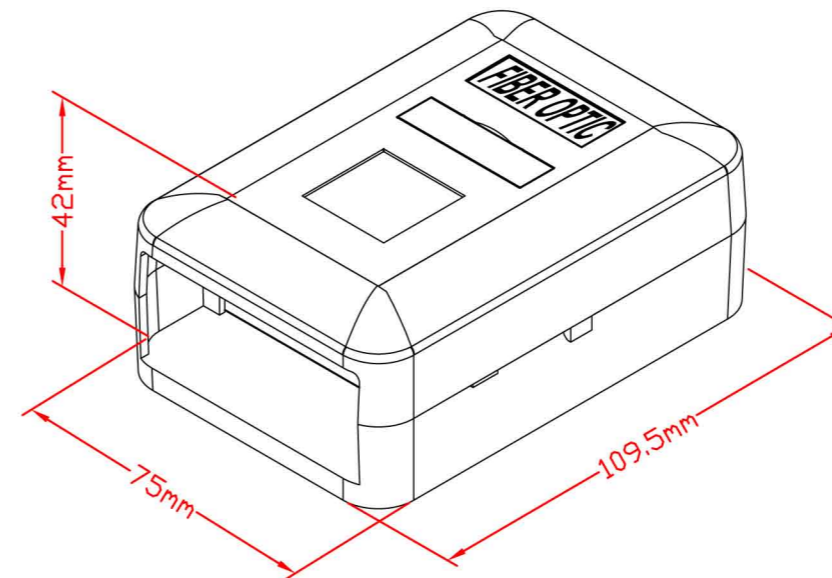
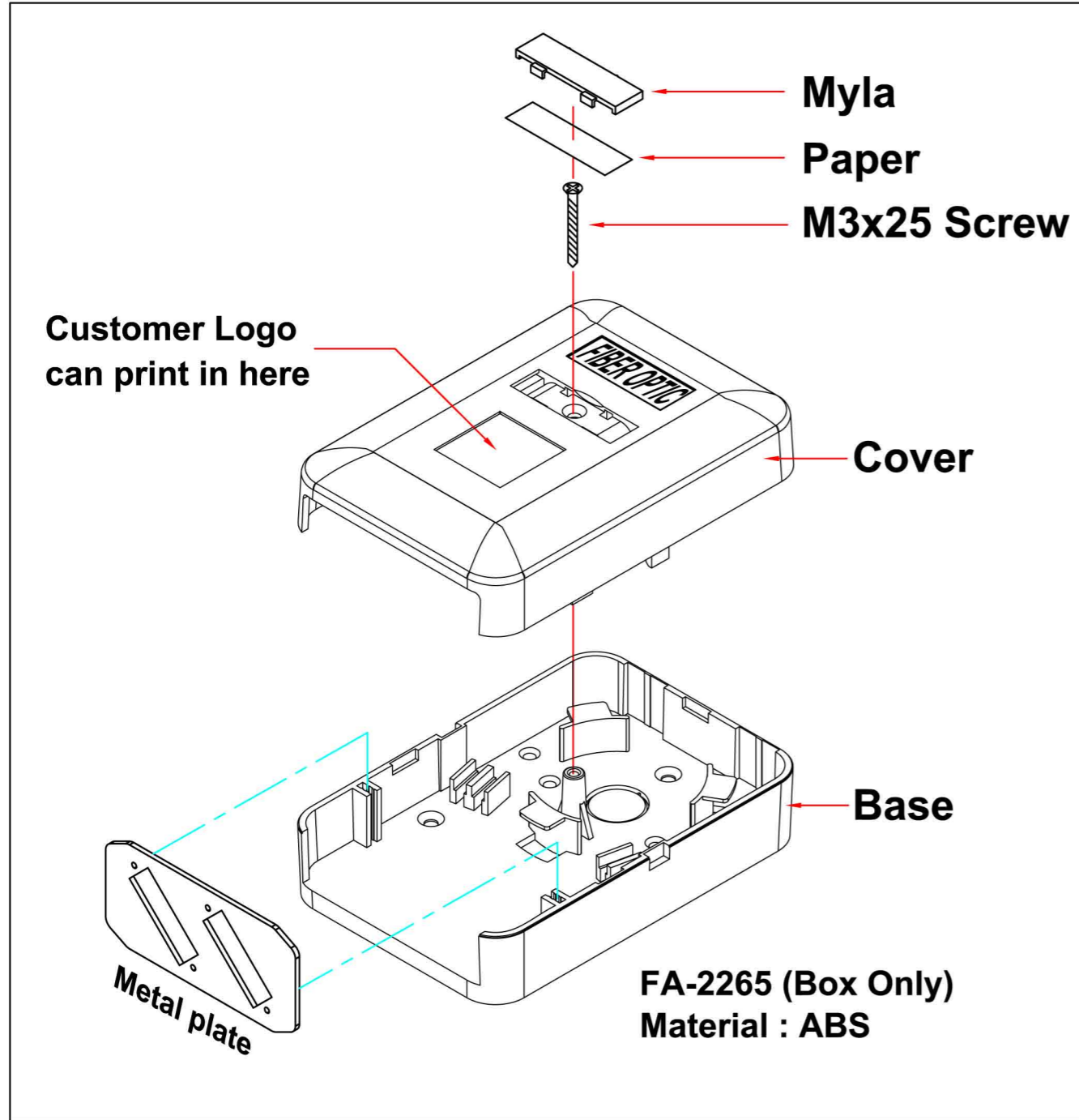


RevNo	Revision note	Rev-By	RevDate	Signature	Checked

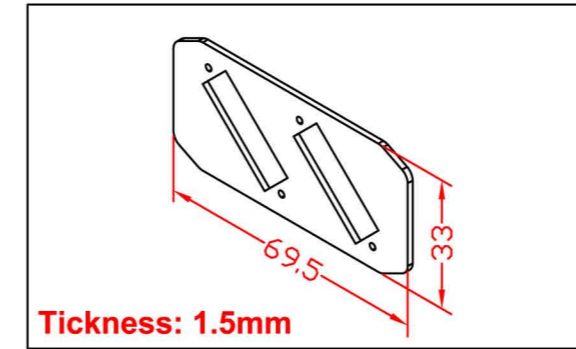
# NEW FIBER WALL ENCLOSURE

## ITEM NO: FA-2265-XX

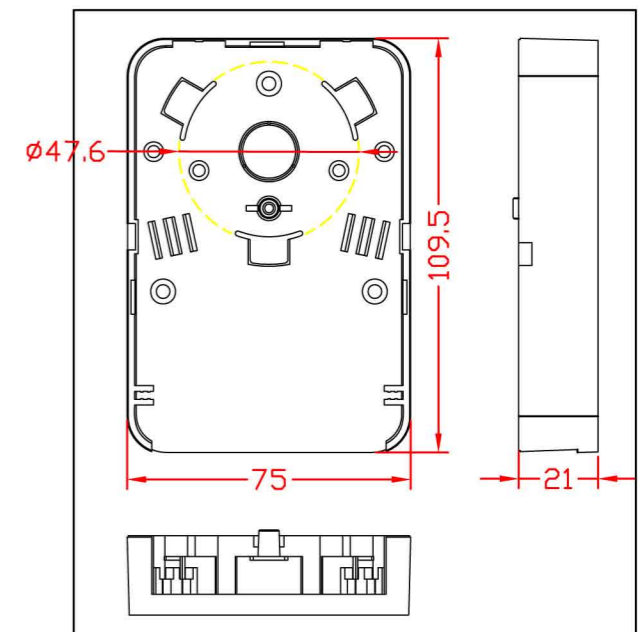


**Cover**

**Assembly**

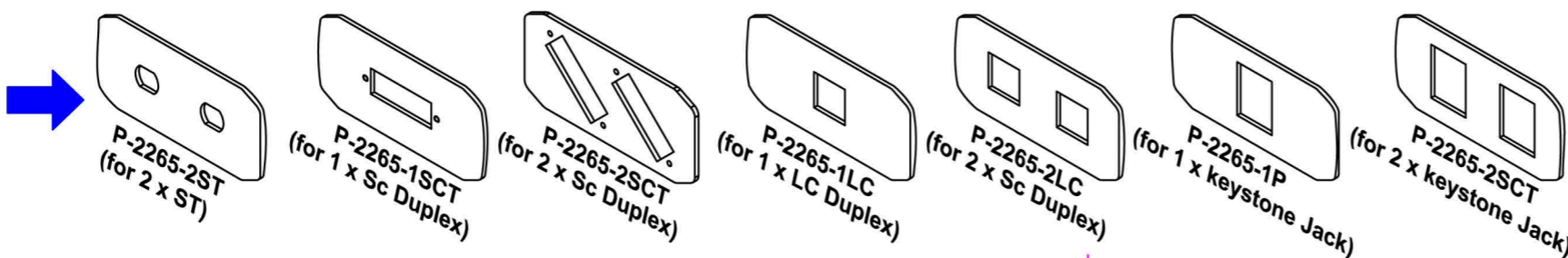


**Metal plate**



**Base**

**Now Suitable Metal Plate**



ITEM NO.	<b>FA-2265-XX</b>			
CUSTOMER NO.				
DESIGNED BY	DATE	080618	UNIT	MM
ALEX	SCALE	xx	VER.	1
NO.	Checked by			
APPR:	Approved by -date			

