

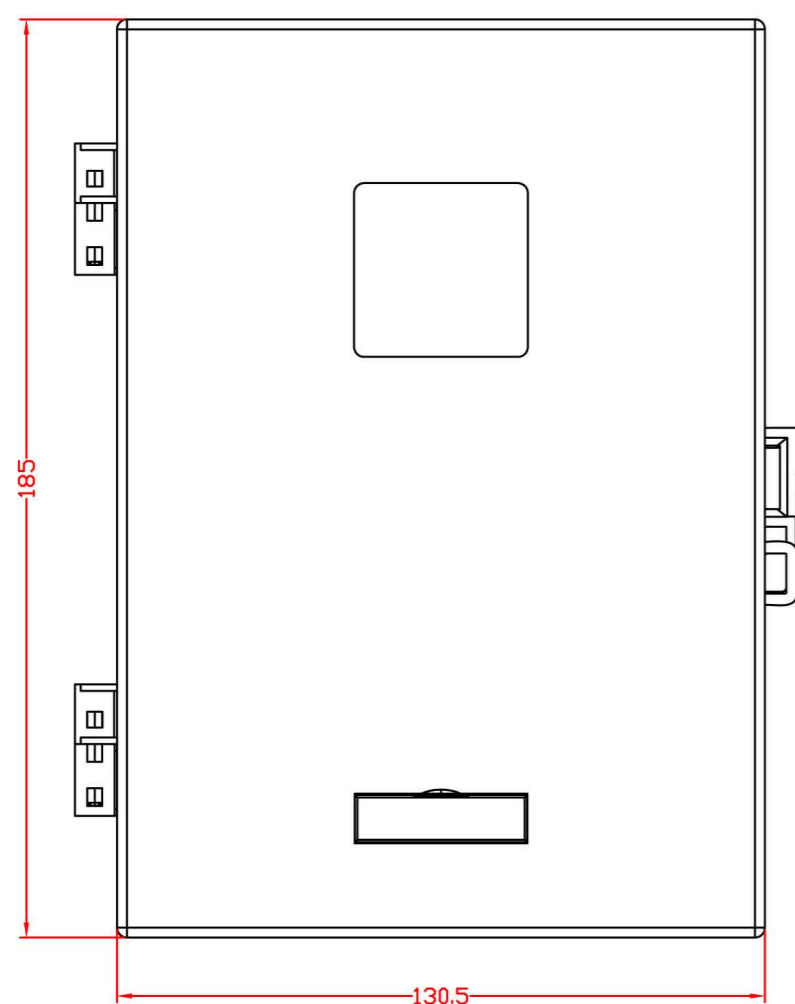
RevNo	Revision note	Rev-By	RevDate	Signature	Checked



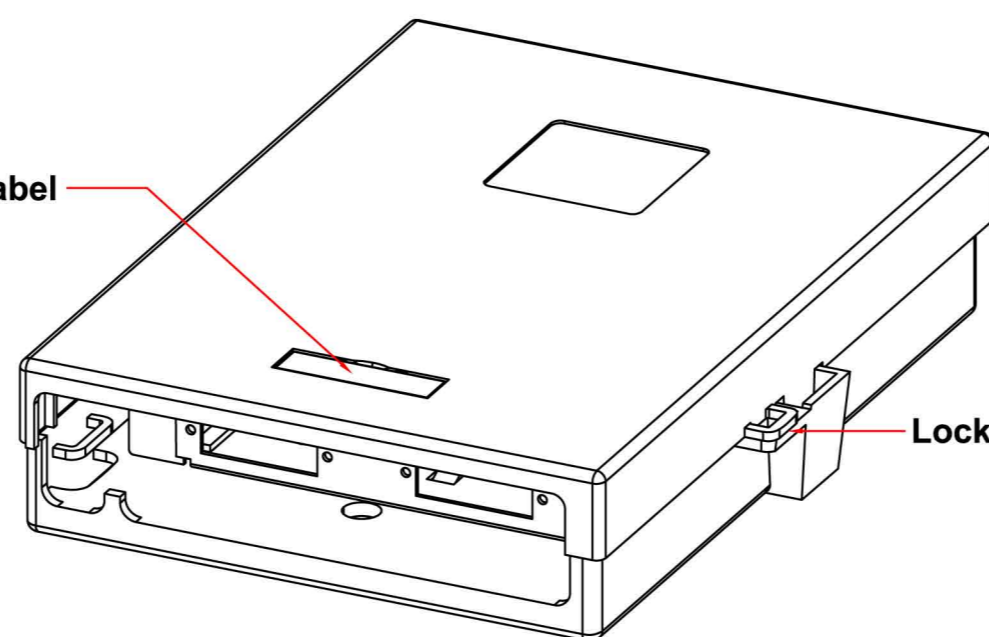
NEW FIBER WALL ENCLOSURE

ITEM NO: FA-1350A-4SCT

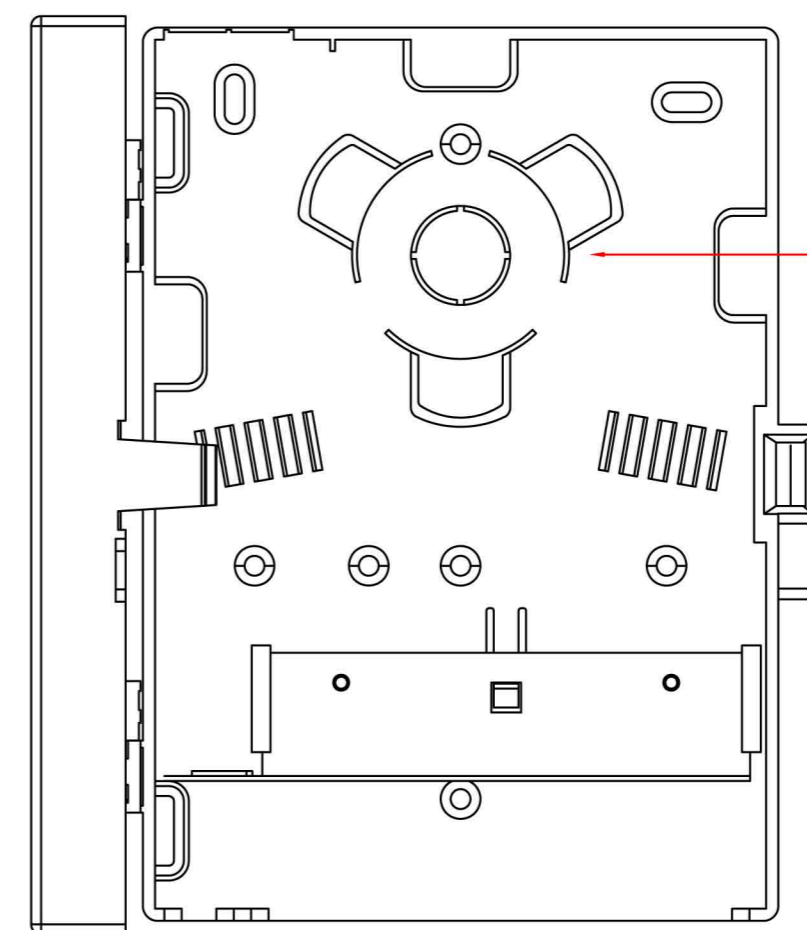
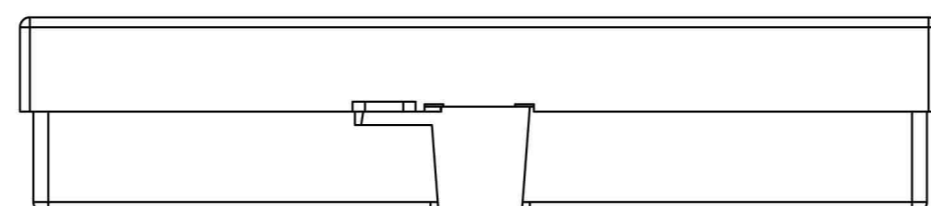
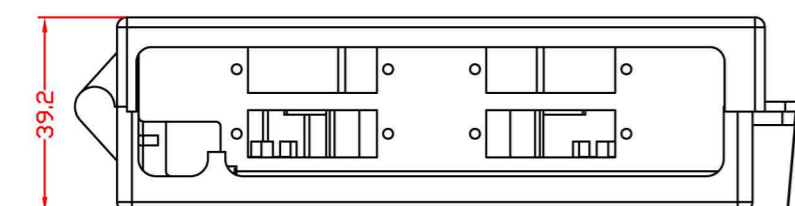
(SC Duplex, Unloaded Type)



ID Station Label

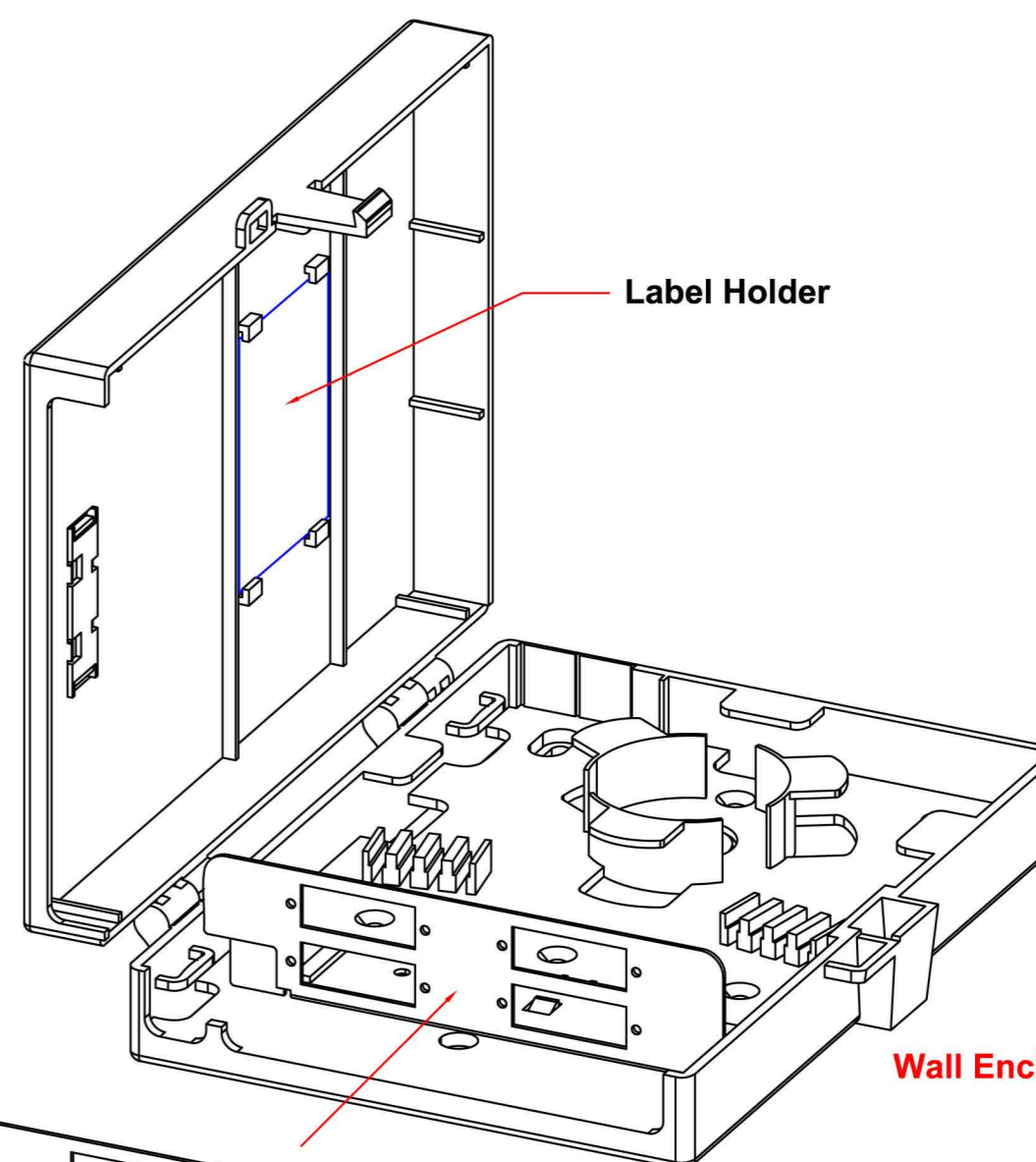


Lockable



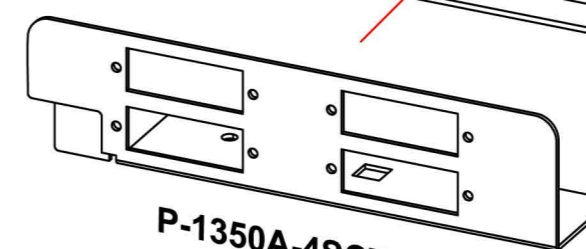
Cable Management

Top Open Cover View



Label Holder

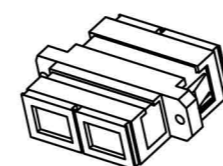
Wall Enclosure



Metal Plate

FEATURES:

- New Fiber Wall Enclosure
- Accepts 4 x SC Duplex Adapter
- with Management
- with Label Holder
- with ID Station Label
- Lockable
- Cable Input : Top Bottom and Rear access
- Color : RAL9003 (white)



SC Duplex Adapter is optional

ITEM NO.	XXXX			
CUSTOMER NO.	XXXX			
DESIGNED BY	DATE	04XXXX	UNIT	MM
ALEX	SCALE	xx	VER.	1
NO.	Checked by			
APPR:	Approved by -date			

