

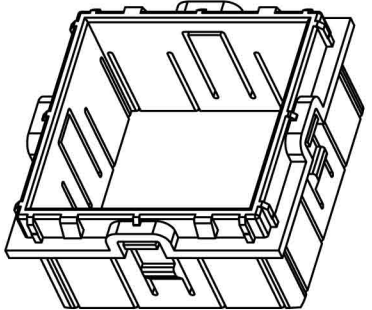
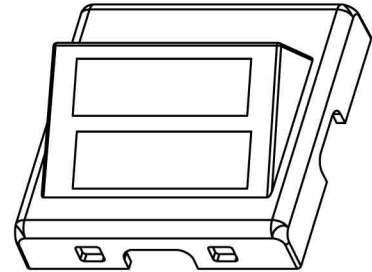
RevNo	Revision note	Rev-By	RevDate	Signature	Checked

Module 45 x 45 mm For Face Plate
PART NO: 65066680
ITEM NO: FA-644-18MP (Module 45 x 45 mm)

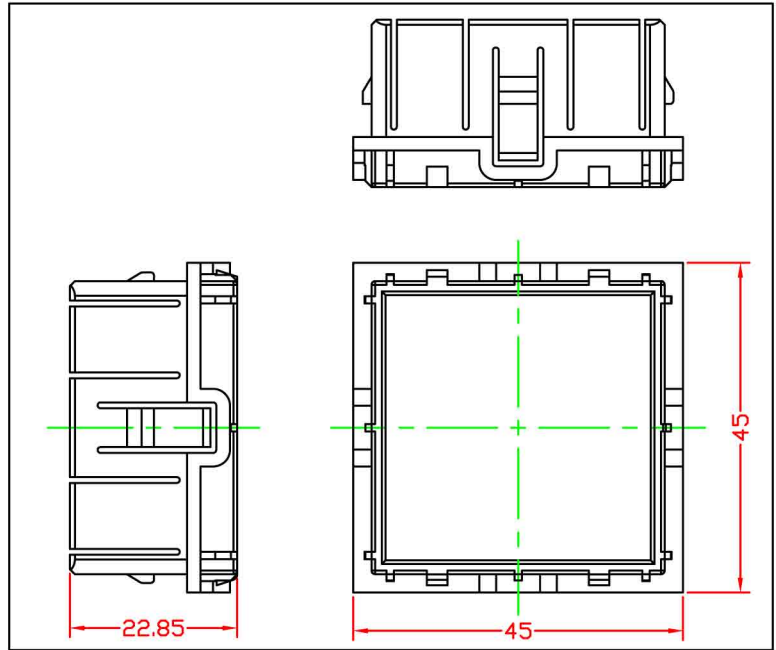
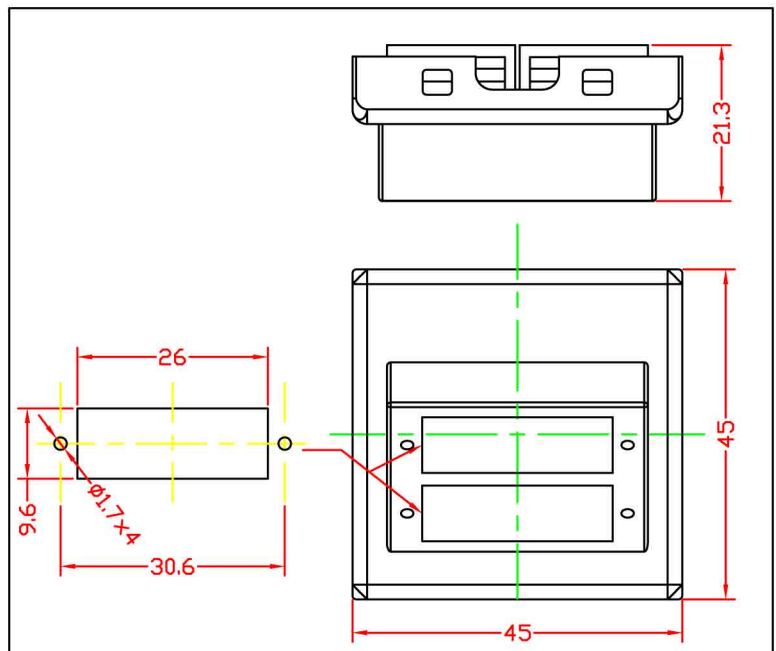
Surface is "Polish"



For SC Duplex Adapter



Mount Bracket



ITEM NO.	FA-644-18MP			
PART NO.	65066680			
DESIGNED BY ALEX	DATE	070322	UNIT	MM
	SCALE	1:1	VER.	1
NO.	Checked by			
APPR:		Approved by -date		

