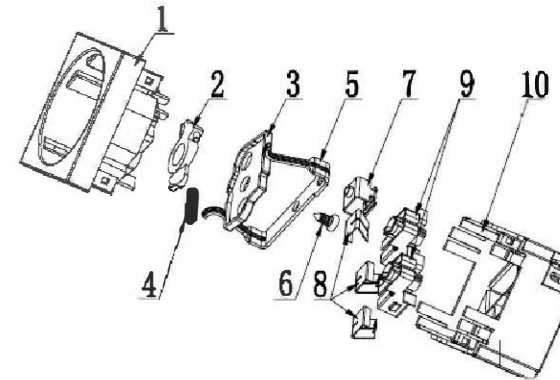
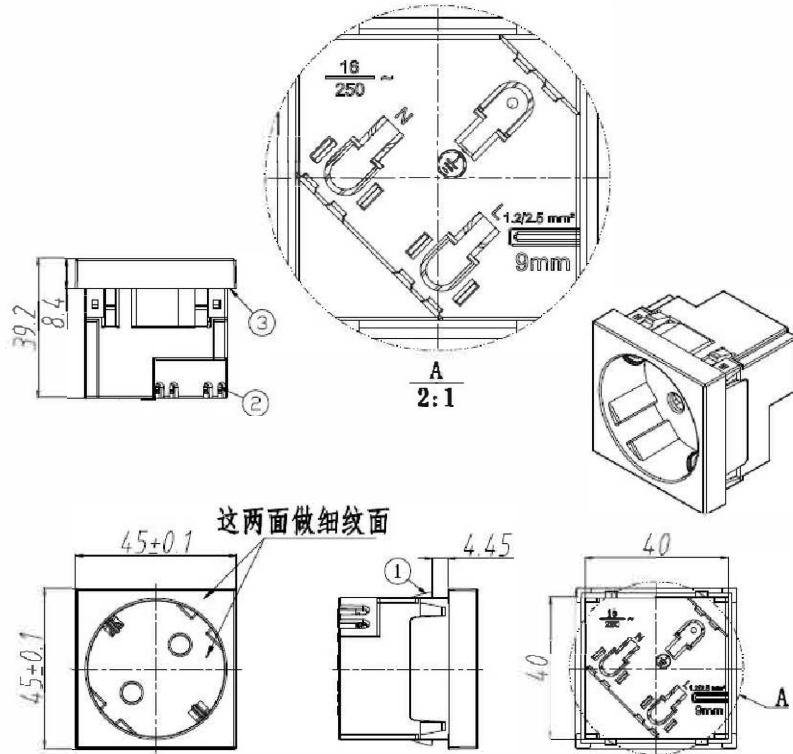


Produkt: Enkel 220V Stikkontakt for DIN 45x45
 Produktnr.: 66057983

RevNo	Revision note	Rev-By	RevDate	Signature	Checked



Rating: 10A-16A, 250V AC
 Insulation resistance:
 Over 100MO at 500V DC
 Dielectric strength:
 2000V AC 1 minute
 Materiale: Nylon 66, 94V-0

ITEM NO.	FP-0345-GE			
PART NO.	66057983			
DESIGNED BY	DATE	191210	UNIT	MM
	SCALE	Free	VER.	1
NO.	Checked by			
APPR:	Approved by -date			



dGroup as
 Importør