

NETYS RT

1100-11000 VA

Options 

Options 

Opzioni 

Optionen 

Opciones 

Опции 

IMPORTANT



WARNING!

This product is an accessory of the NETYS RT UPS and it can only be used in conjunction with the NETYS RT range.

- For installation and use of this accessory, please REFER TO THE UPS INSTALLATION MANUAL
- Please read the safety instructions carefully in the UPS manual before attempting to activate the product in any way
- The warranty conditions are also set out in the UPS installation manual
- Read this instruction carefully
- All cautions and warnings should be followed
- The incoming mains utility supply must be installed near the equipment and must be easily accessible
- The equipment must be used at a maximum 40 °C ambient temperature
- To avoid the risk of electrical shock DO NOT open the equipment
- The equipment has to be positioned to avoid objects falling or liquids dripping through the openings. This could cause a fire or electrical shock
- Do not block any ventilation openings, they prevent the equipment from over-heating
- If the equipment is not used for a long period of time, disconnect the equipment from the power supply to avoid damage from any voltage peaks or lightning strikes
- An approved power cord greater or equal to H05VV-F, 1.0 mm² must be used

EXTERNAL BATTERY CHARGER. NRT-OP-BCH48V - NRT-OP-BCH72V

Option available for NETYS RT 1700 VA, 2200 VA and 3000 VA only.

- The battery charger has to be set up depending on the total number and capacity of the NETYS RT external battery modules (EBM) to be used
- Suggested set up value: ~10÷15% of the capacity (Ah)



WARNING!

To avoid damaging the batteries, due to a high recharging current, the minimum usable battery capacity is 40 Ah

- To size the battery charger correctly please refer to the NETYS RT external battery module (EBM) specifications
- In case of specific battery cabinets used instead of the NETYS RT external battery modules (EBM), it is necessary to use the suitable connecting cable, available as an option. To display the correct autonomy value, the number of Ah has to be set via RT Battery Configurator software "STEP 4) Select the external battery Ah".
- Set the switch on the back of the battery extension module to the ON position.

1.3kVA Netys RT Battery Configurator

socomec
Innovative Power Solutions

STEP 1) Select the serial port: COM1

STEP 2) Connect to the UPS: Connect

Current number of battery pack: 0

Current external battery Ah: 0

STEP 3) Select number of battery pack: 0

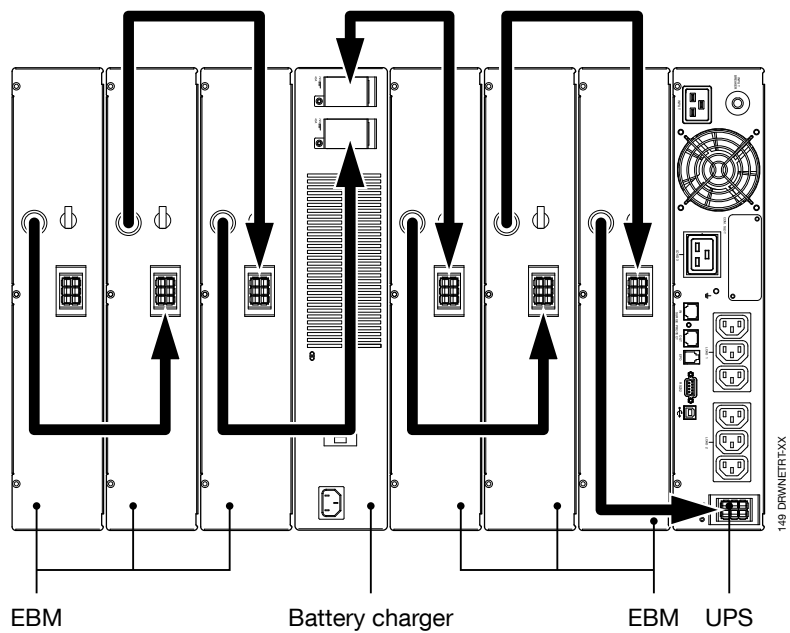
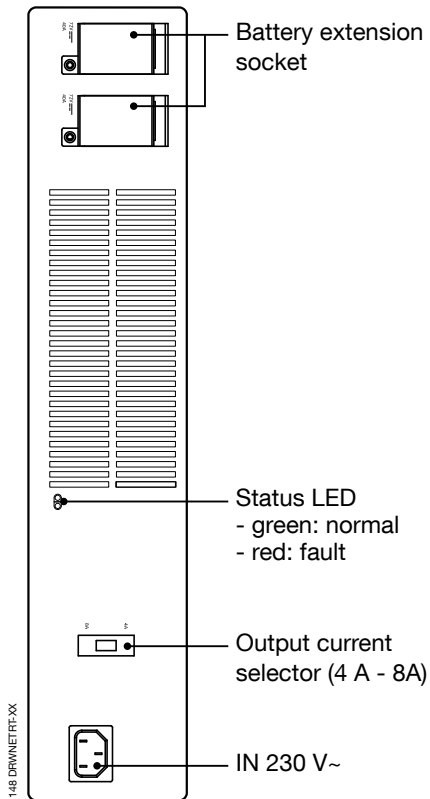
STEP 4) Select the external battery Ah: 0

STEP 5) Save data into UPS: Submit

166 DRWNETRT-GB

EXTERNAL BATTERY CHARGER. NRT-OP-BCH48V - NRT-OP-BCH72V

Battery charger Model	NRT-OP-BCH48V		NRT-OP-BCH72V
Compatible with UPS model	NRT-U1700	NRT-U2200	NRT-U3000
Input	Single-phase 230 V AC (100-250 V); 50/60 Hz		
Input current (max)	5.2 A		7.8 A
Input protection	10 A fuse		
Output power	Selectable: 220 W or 440 W		Selectable: 330 W or 660 W
Output current	Selectable: 4 A $\pm 0,4$ A or 8 A $\pm 0,4$ A		
Output protection	20 A fuse		
Output voltage	54,6 V DC $\pm 1\%$		81,9 V DC $\pm 1\%$
Dimension (WxDxH)	440 x 135 x 88 mm		
Weight	3,18 kg		3,28 kg



WARNING!

The input to the battery charger should be connected to mains or utility supply not to the UPS output.

UPS WITH POWERFULL BATTERY CHARGER.

NRT-U7000CLA - NRT-U11000CLA

- This instruction sheet completes the Installation and Operating manuals of the UPS
- The battery charger has to be set up depending on the total number and capacity of the NETYS RT external battery modules (EBM) to be used
- Suggested set up value: ~10÷15% of the capacity (Ah)



WARNING!

To avoid damaging the batteries, due to a high recharging current, the minimum usable battery capacity is 40 Ah

- To size the battery charger correctly please refer to the NETYS RT external battery module (EBM) specifications
- In case of specific battery cabinets used instead of the NETYS RT external battery modules (EBM), it is necessary to use the suitable connecting cable, available as an option
- Technical specifications: please refer to the the Installation and Operating manual - see the specifications of the standard UPS with the same power except for what follows

UPS model	NRT-U7000CLA	NRT-U11000CLA
Power (UPS protection)	7000 VA 4900 W	11000 VA 8000 W
Battery recharging current	8 A	
Dimensions (LxPxH)	440 x 670.5 x 88.7 mm	440 x 623 x 130.6 mm
Weight	16 kg	20.5 kg

LEVEL 1	LEVEL 2	LEVEL 3
BATTERY SETTING	BATT LOW ALARM	20%
	SHUTDOWN VOLTAGE	SD VOLT:168VDC
	DISCHARGE TEST	NO TEST
		30 DAYS
		60 DAYS
		90 DAYS
	BATT CABINET NUM	NUM: 0
	BATTERY AH	BATTERY: ... Ah

BY-PASS OF CONNECTION FOR UPS IN PARALLEL

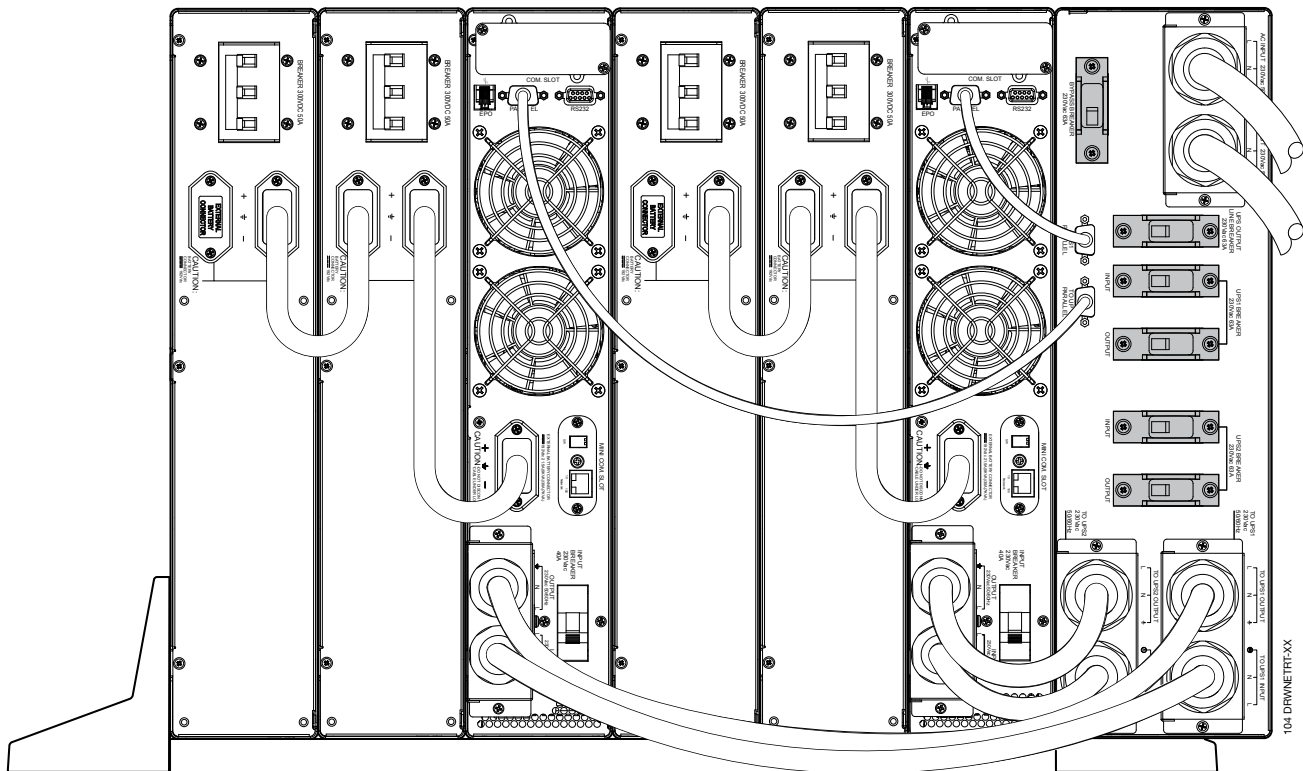
Parallel redundant operation for business continuity

To achieve the highest level of availability and to power mission critical loads, NETYS RT UPS modules above 3 kVA can be configured for 1:1 redundancy.

Redundant operation (1+1) means: the system incorporates one more UPS module than is needed to protect the load; in the unlikely event of one module failure, it guarantees sufficient power supply capacity to the load by maintaining online protection.

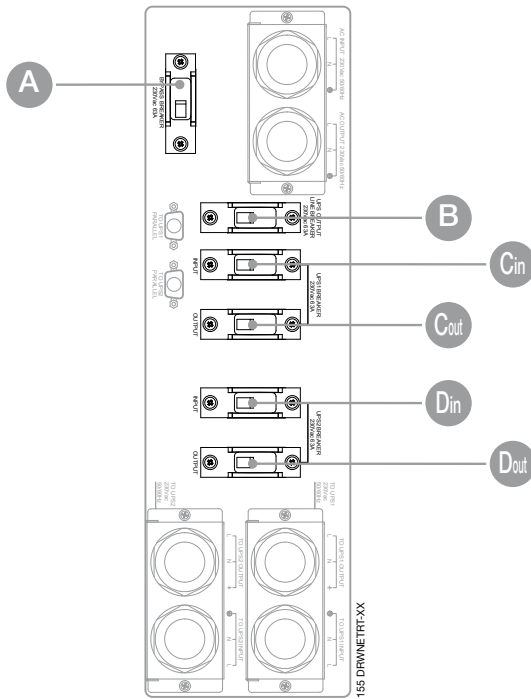
Parallel technology is based on the principle of load sharing, whereby both units are always kept active.

Connection of BY-PASS for UPS in parallel



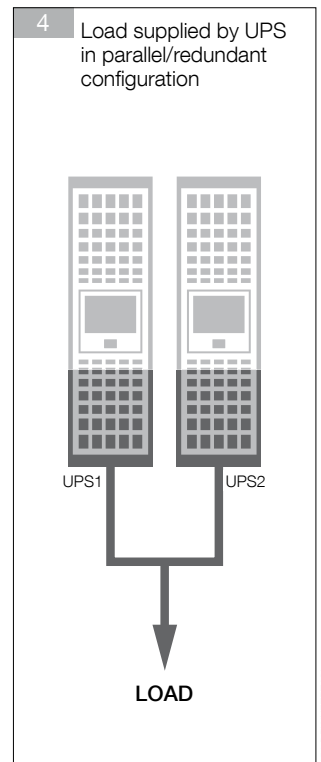
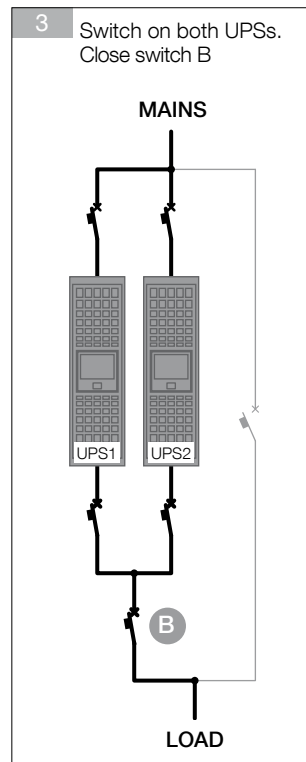
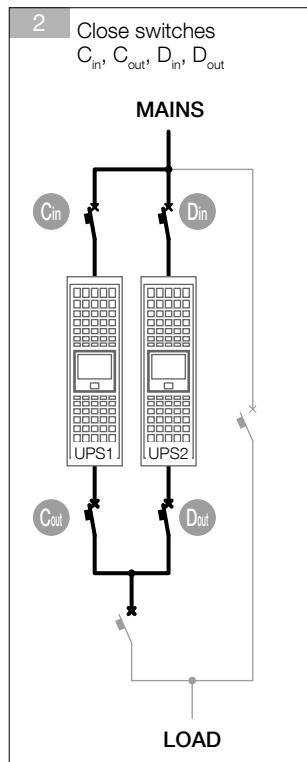
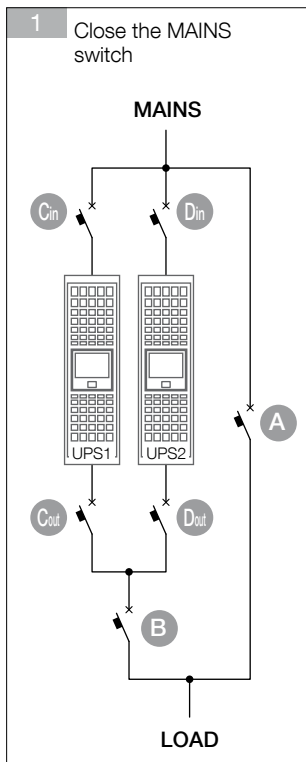
BY-PASS CONNECTION OF UPS IN PARALLEL.

Start-up.

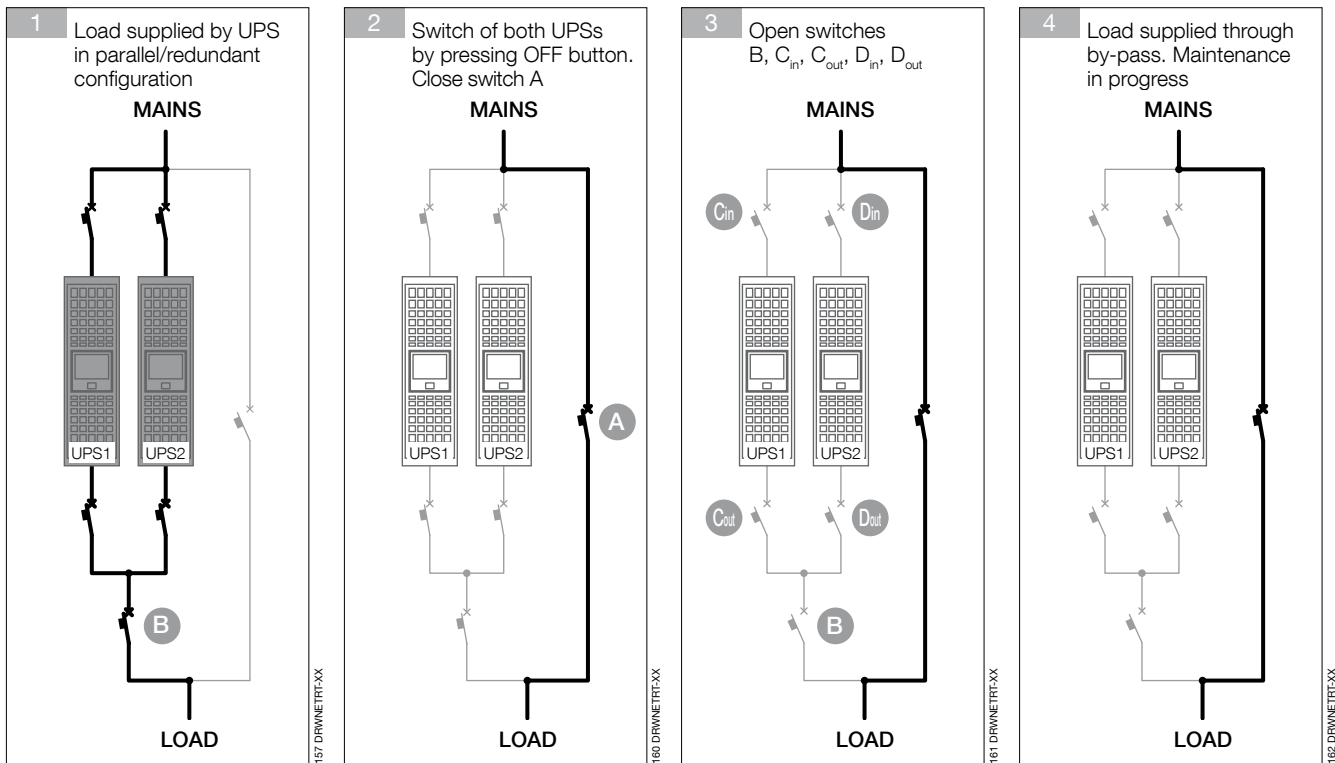


Legend

- A** BY-PASS switch
- B** UPS OUTPUT Line breaker
- Cin** UPS1 INPUT switch
- Cout** UPS1 OUTPUT switch
- Din** UPS2 INPUT switch
- Dout** UPS2 OUTPUT switch

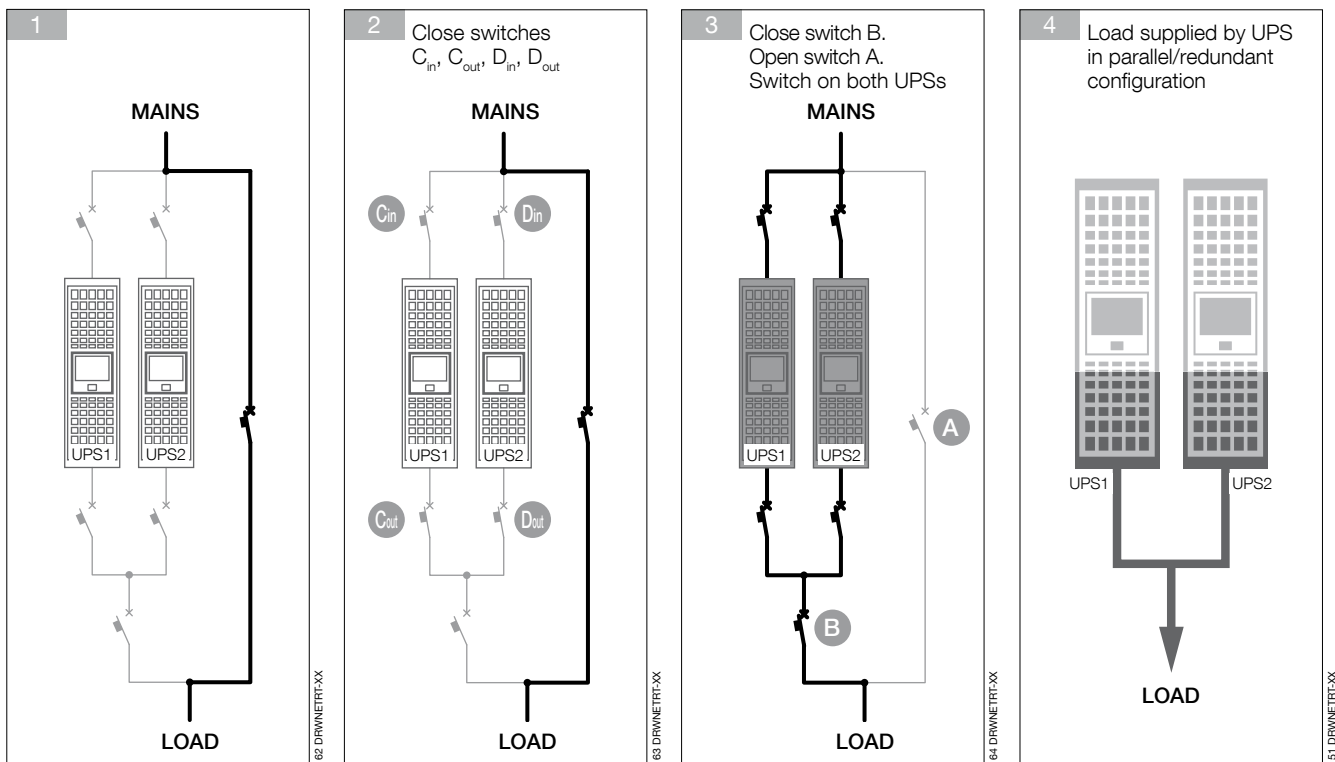


MAINTENANCE BY-PASS mode.



ENGLISH

Back to NORMAL mode.



Socomec UPS worldwide

IN EUROPE

BELGIUM

Schaatsstraat, 30 rue du Patinage
B - 1190 Bruxelles
Tel. +32 (0)2 340 02 34
Fax +32 (0)2 346 16 69
be.ups.sales@socomec.com

FRANCE

95, rue Pierre Grange
F - 94132 Fontenay-sous-Bois Cedex
Tel. +33 (0)1 45 14 63 90
Fax +33 (0)1 48 77 31 12
ups.paris.dcm@socomec.com

GERMANY

Heppenheimerstraße 57
D - 68309 Mannheim
Tel. +49 (0) 621 71 68 40
Fax +49 (0) 621 71 68 44 4
de.ups.all@socomec.com

ITALY

Via Leone Tolstoj, 73 - Zivido
20098 San Giuliano Milanese (MI)
Tel. +39 02 98 242 942
Fax +39 02 98 240 723
siconmi@socomec.com

NETHERLANDS

Bergveste 2F
NL - 3992DE Houten
Tel. +31 (0)30 63 71 504
Fax +31 (0)30 63 72 166
nl.ups.sales@socomec.com

POLAND

Nowowiejska St 21/25
00-665 Warszawa
Tel. +48 (0)22 2345 223
Fax +48 (0)22 2345 223
ups.poland@socomec.com

PORTUGAL

Rua Moinho do Cuco
Bloco A
Lj. Dta. - Paz
2640-566 MAFRA
Tel. +351 261 812 599
Fax +351 261 812 570
portugal@socomec.com

RUSSIA

Kutuzovsky pr. 13, 44-45
121248 - Moscow
Tel. +7 495 775 19 85
Fax +7 495 775 19 85
ups.russia@socomec.com

SLOVENIA

Savlje 89
SI - 1000 Ljubljana
Tel. +386 1 5807 860
Fax +386 1 5611 173
si.ups.info@socomec.com

SPAIN

C/Nord, 22 Pol. Ind. Buvisa
E - 08329 Teià (Barcelona)
Tel. +34 935 407 575
Fax +34 935 407 576
info@socomec-aron.com

UNITED KINGDOM

Units 7-9 Lakeside Business Park
Broadway Lane - South Cerney
Cirencester - GL7 5XL
Tel. +44 (0)1285 863300
Fax +44 (0)1285 862304
uk.ups.sales@socomec.com

IN ASIA

CHINA

No.1 Yuanda Road Haidian District, Beijing, 100097
Golden Resource Times Shopping Mall
No. 1001 section B the 2nd issue of business building
Tel. +86 10 8889 2202
Fax +86 10 8889 2150
socomec@socomec.com.cn

INDIA

B1, 1Ind Floor, Thiru-Vi-Ka-Industrial Estate
Guindy
Chennai - 600 032
Tel. +91 44 3921 5400
Fax +91 44 3921 5450 - 51
sales@socomec-ups.co.in

MALAYSIA

31 Jalan SS 25/41- Mayang Industrial Park
47301 Petaling Jaya.- Selangor, Malaysia
Tel. +603 7804 1153
Fax +603 7803 8901
sales@cspm.com.my

SINGAPORE

31 Ubi Road 1, Aztech Building
01-00 (Annex) - SG - Singapore 408694
Tel. +65 6745 7555
Fax +65 6458 7377
sg.ups.sales@socomec.com

THAILAND

No.9 Soi Vibhavadirangsit 42
Vibhavadirangsit Rd, Ladyao
Chatujak Bangkok 10900
Tel. +66 2 941-1644-7
Fax. +66 2 941-1650
info@socomec-th.com

VIETNAM

539/23 Luy Ban Bich St.,
Phu Thanh Ward, Tan Phu Dist
Ho Chi Minh City
Tel. +84-839734.990
Fax +84-839735.088
info@socomec-vn.com

HEAD OFFICE

SOCOME C GROUP

S.A. SOCOME C capital 11 102 300 € - R.C.S. Strasbourg B 548 500 149
B.P. 60010 - 1, rue de Westhouse - F-67235 Benfeld Cedex

SOCOME C UPS Strasbourg

11, route de Strasbourg - B.P. 10050 - F-67235 Huttenheim Cedex- FRANCE
Tel. +33 (0)3 88 57 45 45 - Fax +33 (0)3 88 74 07 90
ups.benfeld.admin@socomec.com

SOCOME C UPS Isola Vicentina

Via Sila, 1/3 - I - 36033 Isola Vicentina (VI) - ITALY
Tel. +39 0444 598611 - Fax +39 0444 598622
info.it.ups@socomec.com

SALES, MARKETING AND SERVICE MANAGEMENT

SOCOME C UPS Paris

95, rue Pierre Grange
F-94132 Fontenay-sous-Bois Cedex - FRANCE
Tel. +33 (0)1 45 14 63 90 - Fax +33 (0)1 48 77 31 12
ups.paris.dcm@socomec.com



IOMNETRTXX03-XX 02 10.2009

www.socomec.com

Non contractual document. © 2008, Socomec SA. All rights reserved.



socomec
Innovative Power Solutions **UPS**