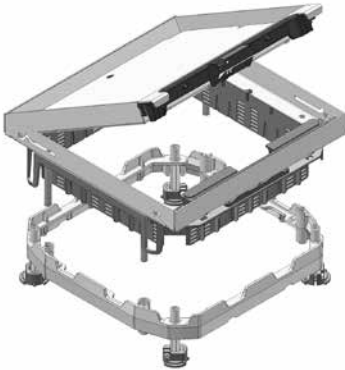


KDVIT3
Hinged cover square, stainless steel


Build-in frame + tileframe + cable outlet + alu frame

Max. load 2000 N (small surface area)

Max. load 3000 N (large surface area)

Active condition IP 20

Non-active condition IP 30

Depth of floor covering Max. 26 mm

Standard finish Stainless Steel 304

HD	Reference	↑ mm	↔ mm	↔ mm	↔ mm	kg/piece	📦	Stock	Unit
-	KDVIT3	-	267		267	3.100	1	✓	piece

Tested to EN 50085-2-2.

Hinged cover for 3 compartments.

Depth of floor covering can be reduced by fitting packers OHEV3.2 and/or OHEV3.5.

Can be leveled by adjusting 4 bolts on included alu-frame NEOT3.

Hinged cover is provided with 2 cable outlets with integrated push lever and 2 cable organisers.

Hinged cover is provided with an earthing strip between cover and frame.

A reinforcement kit KDVIZ3 is available to support heavy loads.

For use in dry floors only.