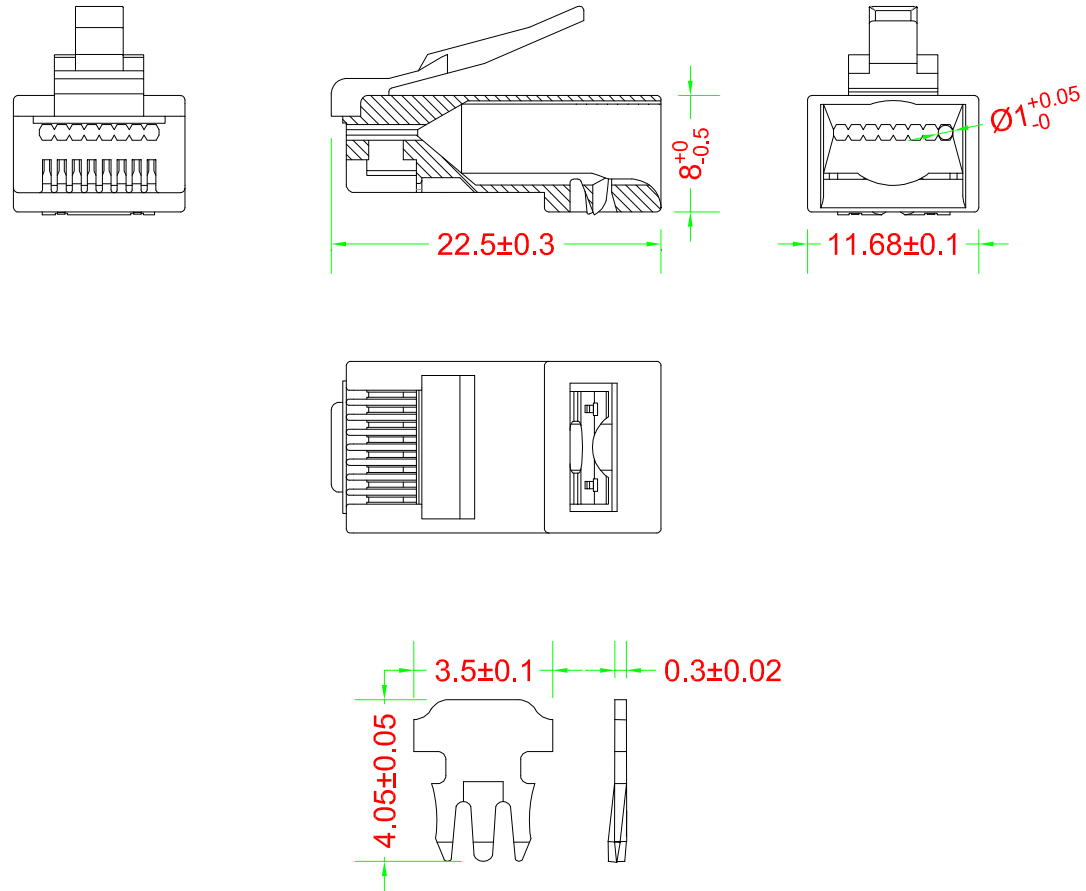



# Plug



1. Housing Material : Polycarbonate, UL 94V-2

2. Gold Plating : 50 micro inches gold plated

DRAW NO:	6P-U98850V2Z-85	ITEM NO:	8883000
	APPR	CUSTOMER:	
UNIT: m/m	DESIGN	DATE:	
SCALE:	Ref. NO:	TOLERANCE:	X $\pm$ 1    · X $\pm$ 0.2    · XX $\pm$ 0.15

**dG**GROUP