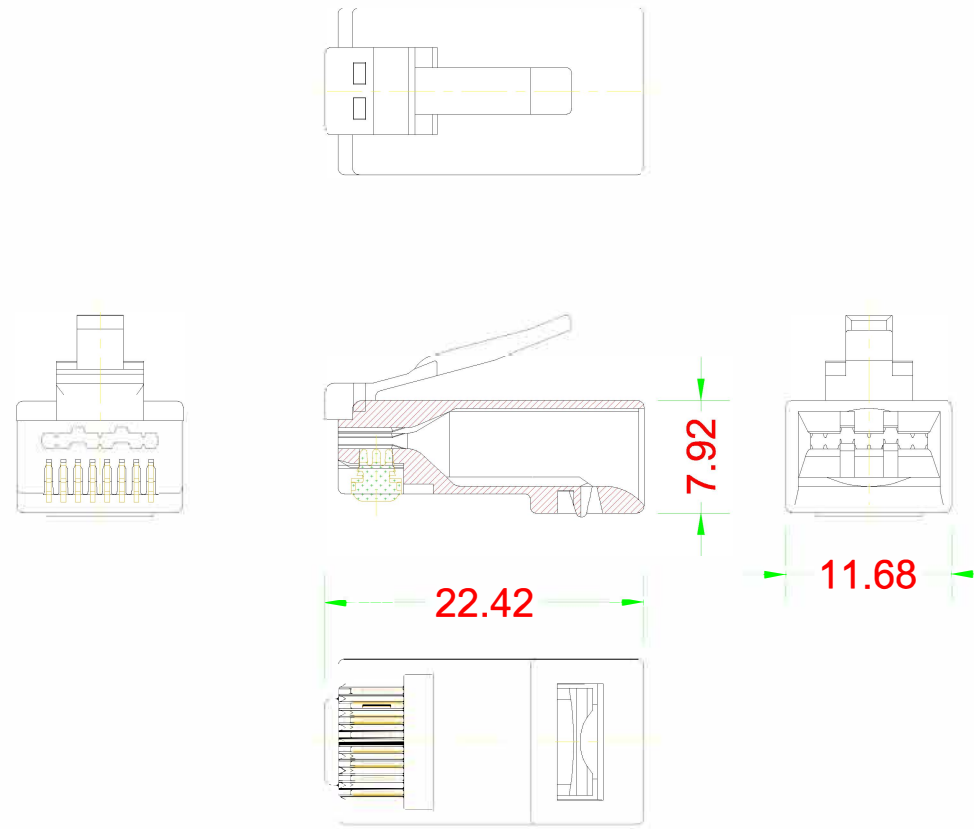



Plug



1. Housing Material : Polycarbonate, UL 94V-2 NO Poison

2. Housing Color : Transparence

3. Operation Temperature : -10°C to 60°C

DRAW NO:	GP-U98850V2Z-53	ITEM NO:	8883001
	APPR	CUSTOMER:	
UNIT: m/m	DESIGN	DATE:	
SCALE:	Ref. NO:	TOLERANCE:	